



NYLON SWIVEL METRIC SOCKET STYLE

LEVELERS – with Rubber Pad

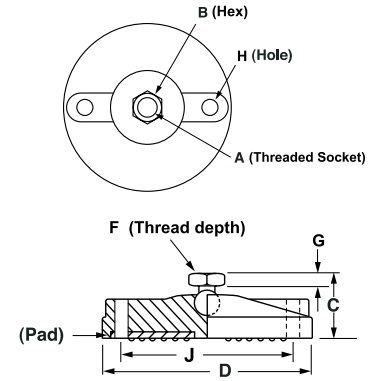
The IEC Metric Nylon Base Steel and Stainless Steel Swivel Socket Leveler with Rubber Pad is ideal for medium-duty load requirements where a stud is not required. Nylon bases 1" to 10" with 15 degree swivel supporting loads to 3,000 lbs. Steel Socket has trivalent zinc, yellow chromate finish.

Features

- Corrosion resistant
- 15 degree swivel
- 8 base diameters
- Glass-filled nylon
- Non skid rubber pad
- Loads to 3,000 lbs.
- RoHS compliant

Applications

- Electronic equipment
- Enclosures
- Conveyors
- Machinery
- Work tables
- Display racks



Metric Threads : 1" to 10" Base Diameters

Steel	Stainless	Load	A	B	C	D	F	G	H	J
Nylon Swivel Socket Levelers-with Rubber Pad										
IL91-M6G-P	IL91-M6S-P	100	M6X1	1/2	1	1	3/8	3/16	-	-
IL91-M8G-P	IL91-M8S-P	500	M8X1.25	1/2	1	1	3/8	3/16	-	-
IL91-M10G-P	IL91-M10S-P	2000	M10X1.50	1/2	1	1	3/8	3/16	-	-
IL91-M12G-P	IL91-M12S-P	2000	M12X1.75	5/8	1-5/16	1	3/8	1/2	-	-
IL91-M16G-P	IL91-M16S-P	2000	M16X2.00	3/4	1-7/16	1	1/2	5/8	-	-
IL91-M20G-P	IL91-M20S-P	2000	M20X2.50	1	1-5/8	1	5/8	11/16	-	-
IL91-M24G-P	IL91-M24S-P	2000	M24X3.00	1 1/4	1-7/8	1	11/16	3/4	-	-
IL93-M6G-P	IL93-M6S-P	100	M6X1	1/2	1	1 1/2	3/8	3/16	-	-
IL93-M8G-P	IL93-M8S-P	500	M8X1.25	1/2	1	1 1/2	3/8	3/16	-	-
IL93-M10G-P	IL93-M10S-P	2000	M10X1.50	1/2	1	1 1/2	3/8	3/16	-	-
IL93-M12G-P	IL93-M12S-P	2000	M12X1.75	5/8	1-5/16	1 1/2	3/8	1/2	-	-
IL93-M16G-P	IL93-M16S-P	2000	M16X2.00	3/4	1-7/16	1 1/2	1/2	5/8	-	-
IL93-M20G-P	IL93-M20S-P	2000	M20X2.50	1	1-5/8	1 1/2	5/8	11/16	-	-
IL93-M24G-P	IL93-M24S-P	2000	M24X3.00	1 1/4	1-7/8	1 1/2	11/16	3/4	-	-
IL95-M6G-P	IL95-M6S-P	100	M6X1	1/2	1	2 3/8	3/8	3/16	-	-
IL95-M8G-P	IL95-M8S-P	500	M8X1.25	1/2	1	2 3/8	3/8	3/16	-	-
IL95-M10G-P	IL95-M10S-P	2500	M10X1.50	1/2	1	2 3/8	3/8	3/16	-	-
IL95-M12G-P	IL95-M12S-P	2500	M12X1.75	5/8	1-5/16	2 3/8	3/8	1/2	-	-
IL95-M16G-P	IL95-M16S-P	2500	M16X2.00	3/4	1-7/16	2 3/8	1/2	5/8	-	-
IL95-M20G-P	IL95-M20S-P	2500	M20X2.50	1	1-5/8	2 3/8	5/8	11/16	-	-
IL95-M24G-P	IL95-M24S-P	2500	M24X3.00	1 1/4	1-7/8	2 3/8	11/16	3/4	-	-
IL97-M6G-H-P	IL97-M6S-H-P	100	M6X1	1/2	1	3 1/8	3/8	3/16	.39	2.2
IL97-M8G-H-P	IL97-M8S-H-P	500	M8X1.25	1/2	1	3 1/8	3/8	3/16	.39	2.2
IL97-M10G-H-P	IL97-M10S-H-P	3000	M10X1.50	1/2	1	3 1/8	3/8	3/16	.39	2.2
IL97-M12G-H-P	IL97-M12S-H-P	3000	M12X1.75	5/8	1-5/16	3 1/8	3/8	1/2	.39	2.2
IL97-M16G-H-P	IL97-M16S-H-P	3000	M16X2.00	3/4	1-7/16	3 1/8	1/2	5/8	.39	2.2
IL97-M20G-H-P	IL97-M20S-H-P	3000	M20X2.50	1	1-5/8	3 1/8	5/8	11/16	.39	2.2
IL97-M24G-H-P	IL97-M24S-H-P	3000	M24X3.00	1 1/4	1-7/8	3 1/8	11/16	3/4	.39	2.2
IL99-M6G-H-P	IL99-M6S-H-P	100	M6X1	1/2	1-1/4	4	3/8	3/16	.51	2.9
IL99-M8G-H-P	IL99-M8S-H-P	500	M8X1.25	1/2	1-1/4	4	3/8	3/16	.51	2.9
IL99-M10G-H-P	IL99-M10S-H-P	3000	M10X1.50	1/2	1-1/4	4	3/8	3/16	.51	2.9
IL99-M12G-H-P	IL99-M12S-H-P	3000	M12X1.75	5/8	1-1/2	4	3/8	1/2	.51	2.9
IL99-M16G-H-P	IL99-M16S-H-P	3000	M16X2.00	3/4	1-5/8	4	1/2	5/8	.51	2.9
IL99-M20G-H-P	IL99-M20S-H-P	3000	M20X2.50	1	1-7/8	4	5/8	11/16	.51	2.9
IL99-M24G-H-P	IL99-M24S-H-P	3000	M24X3.00	1 1/4	2-1/8	4	11/16	3/4	.51	2.9
IL99A-M6G-H-P	IL99A-M6S-H-P	100	M6X1	1/2	1-1/4	6	3/8	3/16	.51	4.9
IL99A-M8G-H-P	IL99A-M8S-H-P	500	M8X1.25	1/2	1-1/4	6	3/8	3/16	.51	4.9
IL99A-M10G-H-P	IL99A-M10S-H-P	3000	M10X1.50	1/2	1-1/4	6	3/8	3/16	.51	4.9
IL99A-M12G-H-P	IL99A-M12S-H-P	3000	M12X1.75	5/8	1-1/2	6	3/8	1/2	.51	4.9
IL99A-M16G-H-P	IL99A-M16S-H-P	3000	M16X2.00	3/4	1-5/8	6	1/2	5/8	.51	4.9
IL99A-M20G-H-P	IL99A-M20S-H-P	3000	M20X2.50	1	1-7/8	6	5/8	11/16	.51	4.9
IL99A-M24G-H-P	IL99A-M24S-H-P	3000	M24X3.00	1 1/4	2-1/8	6	11/16	3/4	.51	4.9
IL99B-M6G-H-P	IL99B-M6S-H-P	100	M6X1	1/2	1-1/4	8	3/8	3/16	.51	6.9
IL99B-M8G-H-P	IL99B-M8S-H-P	500	M8X1.25	1/2	1-1/4	8	3/8	3/16	.51	6.9
IL99B-M10G-H-P	IL99B-M10S-H-P	3000	M10X1.50	1/2	1-1/4	8	3/8	3/16	.51	6.9
IL99B-M12G-H-P	IL99B-M12S-H-P	3000	M12X1.75	5/8	1-1/2	8	3/8	1/2	.51	6.9
IL99B-M16G-H-P	IL99B-M16S-H-P	3000	M16X2.00	3/4	1-5/8	8	1/2	5/8	.51	6.9
IL99B-M20G-H-P	IL99B-M20S-H-P	3000	M20X2.50	1	1-7/8	8	5/8	11/16	.51	6.9
IL99B-M24G-H-P	IL99B-M24S-H-P	3000	M24X3.00	1 1/4	2-1/8	8	11/16	3/4	.51	6.9
IL99C-M6G-H-P	IL99C-M6S-H-P	100	M6X1	1/2	1-1/4	10	3/8	3/16	.51	8.9
IL99C-M8G-H-P	IL99C-M8S-H-P	500	M8X1.25	1/2	1-1/4	10	3/8	3/16	.51	8.9
IL99C-M10G-H-P	IL99C-M10S-H-P	3000	M10X1.50	1/2	1-1/4	10	3/8	3/16	.51	8.9
IL99C-M12G-H-P	IL99C-M12S-H-P	3000	M12X1.75	5/8	1-1/2	10	3/8	1/2	.51	8.9
IL99C-M16G-H-P	IL99C-M16S-H-P	3000	M16X2.00	3/4	1-5/8	10	1/2	5/8	.51	8.9
IL99C-M20G-H-P	IL99C-M20S-H-P	3000	M20X2.50	1	1-7/8	10	5/8	11/16	.51	8.9
IL99C-M24G-H-P	IL99C-M24S-H-P	3000	M24X3.00	1 1/4	2-1/8	10	11/16	3/4	.51	8.9

"-H" denotes two lag holes in base Note: "F" column values represent thread depth
To order without rubber pad, remove "-P." To order without lag holes, remove "-H."