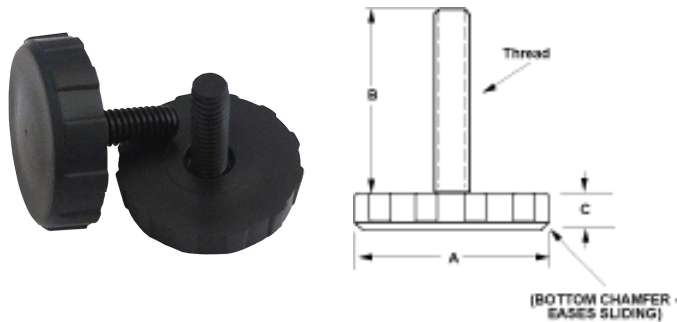




KNOB STYLE GLIDES – NYLON THREADS

The IEC Knob Style Nylon Thread Glide is ideal for light duty load requirements. These low-profile, solid bottom, large diameter black polypropylene base glides are perfect for leveling and stabilizing furniture, racks, instruments and appliances without the need for tools. Useful in both feet and knob applications.

Nylon threads are especially beneficial for food, medical, marine, electrical, outdoor furniture and many other applications where electrical isolation, magnetism or corrosion is a concern.



For higher load ratings, more thread sizes in steel and stainless steel and top hex and slot features, see IEC's Knob Style Glides in our Medium Duty Leveler catalog.

KNOB STYLE SOCKET TYPE GLIDES (LEVELERS/KNOB)

These low-profile polypropylene levelers/knobs are designed for use with socket head allen bolts or threaded rod of various lengths. They are available with three different female thread types: brass insert (-BI), steel hex nut (-HN), or threads molded directly into the polypropylene (-MT). The height of all base sizes is 3/8" thick. The PVC base is a flexible, non-skid and non-marring, rubber-like material.



PN (brass)	PN (hex nut)	PN (molded)	Thread	Base Dia.	Load (lbs.)
IL83-4B-BI	IL83-4B-HN	IL83-4B-MT	1/4-20	1-1/2	100
IL83-5B-BI	IL83-5B-HN	IL83-5B-MT	5/16-18	1-1/2	250
IL83-6B-BI	IL83-6B-HN	IL83-6B-MT	3/8-16	1-1/2	250
IL85-4B-BI	IL85-4B-HN	IL85-4B-MT	1/4-20	2	100
IL85-5B-BI	IL85-5B-HN	IL85-5B-MT	5/16-18	2	250
IL85-6B-BI	IL85-6B-HN	IL85-6B-MT	3/8-16	2	250
IL87-4B-BI	IL87-4B-HN	IL87-4B-MT	1/4-20	2-1/2	100
IL87-5B-BI	IL87-5B-HN	IL87-5B-MT	5/16-18	2-1/2	250
IL87-6B-BI	IL87-6B-HN	IL87-6B-MT	3/8-16	2-1/2	250
IL89-4B-BI	IL89-4B-HN	IL89-4B-MT	1/4-20	3	100
IL89-5B-BI	IL89-5B-HN	IL89-5B-MT	5/16-18	3	250
IL89-6B-BI	IL89-6B-HN	IL89-6B-MT	3/8-16	3	250

PN (PVC)	Thread	Base Dia.	Load (lbs.)
IL83-4B-HN-PVC	1/4-20	1-1/2	75
IL83-5B-HN-PVC	5/16-18	1-1/2	75
IL83-6B-HN-PVC	3/8-16	1-1/2	75

* Partially threaded 1" length

Steel	Load	Thread	A	B	C
Nylon Thread Knob Style Glides					
IL82-4BX3/8-NYL	50	1/4-20	1-1/2	3/8	3/8
IL82-4BX1/2-NYL	50	1/4-20	1-1/2	1/2	3/8
IL82-4BX5/8-NYL	50	1/4-20	1-1/2	5/8	3/8
IL82-4BX7/8-NYL	50	1/4-20	1-1/2	7/8	3/8
IL82-4BX1-NYL	50	1/4-20	1-1/2	1	3/8
IL82-4BX1-3/8-NYL	50	1/4-20	1-1/2	1-3/8	3/8
IL82-4BX1-7/8-NYL	50	1/4-20	1-1/2	1-7/8	3/8
IL82-5BX3/8-NYL	75	5/16-18	1-1/2	3/8	3/8
IL82-5BX5/8-NYL	75	5/16-18	1-1/2	5/8	3/8
IL82-5BX7/8-NYL	75	5/16-18	1-1/2	7/8	3/8
IL82-5BX1-NYL	75	5/16-18	1-1/2	1	3/8
IL82-5BX1-3/8-NYL	75	5/16-18	1-1/2	1-3/8*	3/8
IL82-5BX1-7/8-NYL	75	5/16-18	1-1/2	1-7/8*	3/8
IL82-5BX2-3/8-NYL	75	5/16-18	1-1/2	2-3/8*	3/8
IL82-6BX3/8-NYL	100	3/8-16	1-1/2	3/8	3/8
IL82-6BX5/8-NYL	100	3/8-16	1-1/2	5/8	3/8
IL82-6BX7/8-NYL	100	3/8-16	1-1/2	7/8	3/8
IL82-6BX1-NYL	100	3/8-16	1-1/2	1	3/8
IL82-6BX1-3/8-NYL	100	3/8-16	1-1/2	1-3/8	3/8
IL82-6BX1-7/8-NYL	100	3/8-16	1-1/2	1-7/8	3/8
IL82-6BX2-3/8-NYL	100	3/8-16	1-1/2	2-3/8	3/8
IL84-4BX3/8-NYL	50	1/4-20	2	3/8	3/8
IL84-4BX1/2-NYL	50	1/4-20	2	1/2	3/8
IL84-4BX5/8-NYL	50	1/4-20	2	5/8	3/8
IL84-4BX7/8-NYL	50	1/4-20	2	7/8	3/8
IL84-4BX1-NYL	50	1/4-20	2	1	3/8
IL84-4BX1-3/8-NYL	50	1/4-20	2	1-3/8	3/8
IL84-4BX1-7/8-NYL	50	1/4-20	2	1-7/8	3/8
IL84-4BX2-3/8-NYL	50	1/4-20	2	2-3/8*	3/8
IL84-5BX3/8-NYL	75	5/16-18	2	3/8	3/8
IL84-5BX5/8-NYL	75	5/16-18	2	5/8	3/8
IL84-5BX7/8-NYL	75	5/16-18	2	7/8	3/8
IL84-5BX1-NYL	75	5/16-18	2	1	3/8
IL84-5BX1-3/8-NYL	75	5/16-18	2	1-3/8*	3/8
IL84-5BX1-7/8-NYL	75	5/16-18	2	1-7/8*	3/8
IL84-5BX2-3/8-NYL	75	5/16-18	2	2-3/8*	3/8
IL84-6BX3/8-NYL	100	3/8-16	2	3/8	3/8
IL84-6BX5/8-NYL	100	3/8-16	2	5/8	3/8
IL84-6BX7/8-NYL	100	3/8-16	2	7/8	3/8
IL84-6BX1-NYL	100	3/8-16	2	1	3/8
IL84-6BX1-3/8-NYL	100	3/8-16	2	1-3/8	3/8
IL84-6BX1-7/8-NYL	100	3/8-16	2	1-7/8	3/8
IL84-6BX2-3/8-NYL	100	3/8-16	2	2-3/8	3/8
IL86-4BX3/8-NYL	50	1/4-20	2-1/2	3/8	3/8
IL86-4BX1/2-NYL	50	1/4-20	2-1/2	1/2	3/8
IL86-4BX5/8-NYL	50	1/4-20	2-1/2	5/8	3/8
IL86-4BX7/8-NYL	50	1/4-20	2-1/2	7/8	3/8
IL86-4BX1-NYL	50	1/4-20	2-1/2	1	3/8
IL86-4BX1-3/8-NYL	50	1/4-20	2-1/2	1-3/8	3/8
IL86-4BX1-7/8-NYL	50	1/4-20	2-1/2	1-7/8	3/8
IL86-5BX3/8-NYL	75	5/16-18	2-1/2	3/8	3/8
IL86-5BX5/8-NYL	75	5/16-18	2-1/2	5/8	3/8
IL86-5BX7/8-NYL	75	5/16-18	2-1/2	7/8	3/8
IL86-5BX1-NYL	75	5/16-18	2-1/2	1	3/8
IL86-5BX1-3/8-NYL	75	5/16-18	2-1/2	1-3/8*	3/8
IL86-5BX1-7/8-NYL	75	5/16-18	2-1/2	1-7/8*	3/8
IL86-5BX2-3/8-NYL	75	5/16-18	2-1/2	2-3/8*	3/8
IL86-6BX3/8-NYL	100	3/8-16	2-1/2	3/8	3/8
IL86-6BX5/8-NYL	100	3/8-16	2-1/2	5/8	3/8
IL86-6BX7/8-NYL	100	3/8-16	2-1/2	7/8	3/8
IL88-6BX1-NYL	100	3/8-16	2-1/2	1	3/8
IL86-6BX1-3/8-NYL	100	3/8-16	2-1/2	1-3/8	3/8
IL86-6BX1-7/8-NYL	100	3/8-16	2-1/2	1-7/8	3/8
IL86-6BX2-3/8-NYL	100	3/8-16	2-1/2	2-3/8	3/8
IL88-4BX3/8-NYL	50	1/4-20	3	3/8	3/8
IL88-4BX1/2-NYL	50	1/4-20	3	1/2	3/8
IL88-4BX5/8-NYL	50	1/4-20	3	5/8	3/8
IL88-4BX7/8-NYL	50	1/4-20	3	7/8	3/8
IL88-4BX1-NYL	50	1/4-20	3	1	3/8
IL88-4BX1-3/8-NYL	50	1/4-20	3	1-3/8	3/8
IL88-4BX1-7/8-NYL	50	1/4-20	3	1-7/8	3/8
IL88-5BX3/8-NYL	75	5/16-18	3	3/8	3/8
IL88-5BX5/8-NYL	75	5/16-18	3	5/8	3/8
IL88-5BX7/8-NYL	75	5/16-18	3	7/8	3/8
IL88-5BX1-NYL	75	5/16-18	3	1	3/8
IL88-5BX1-3/8-NYL	75	5/16-18	3	1-3/8*	3/8
IL88-5BX1-7/8-NYL	75	5/16-18	3	1-7/8*	3/8
IL88-5BX2-3/8-NYL	75	5/16-18	3	2-3/8*	3/8
IL88-6BX3/8-NYL	100	3/8-16	3	3/8	3/8
IL88-6BX5/8-NYL	100	3/8-16	3	5/8	3/8
IL88-6BX7/8-NYL	100	3/8-16	3	7/8	3/8
IL88-6BX1-NYL	100	3/8-16	3	1	3/8
IL88-6BX1-3/8-NYL	100	3/8-16	3	1-3/8	3/8
IL88-6BX1-7/8-NYL	100	3/8-16	3	1-7/8	3/8
IL88-6BX2-3/8-NYL	100	3/8-16	3	2-3/8	3/8