



SLANT BASE STUD LEVELERS

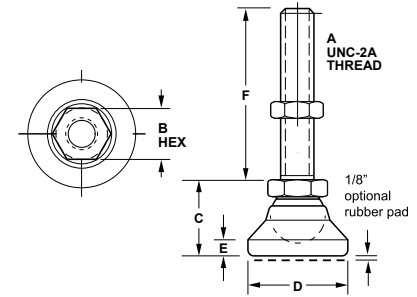
The IEC Slant Base Stud Leveler is ideal for heavy-duty loads. Integrated ball and swivel socket provide a low-friction support interface. Ideal for cabinets, instruments, machinery and equipment.

Features

- Solid steel/stainless steel
- Integrated ball and socket
- Adjustable height
- Base adjusts 15° off centerline
- Standard gold irridite zinc finish
- Black chromate or clear chromate options
- Rubber pad or non-marring delrin base

Applications

- Equipment benches
- Machinery
- Instruments
- Enclosures



STEEL & STAINLESS STEEL

| Steel | SS | Load | A | B | C | D | E | F |
|----------|---------|-------|---------|--------|-------|-------|-------|-------|
| IL2-4G | IL6-4 | 1400 | 1/4-20 | 1/2 | 45/64 | 1 | 5/32 | 1-1/4 |
| IL2-4GF | IL6-4F | 1400 | 1/4-28 | 1/2 | 45/64 | 1 | 5/32 | 1-1/4 |
| IL2-5G | IL6-5 | 1400 | 5/16-18 | 1/2 | 45/64 | 1 | 5/32 | 1-1/4 |
| IL2-6G | IL6-6 | 3000 | 3/8-16 | 5/8 | 7/8 | 1-1/4 | 3/16 | 2 |
| IL2-6GF | IL6-6F | 3000 | 3/8-24 | 5/8 | 7/8 | 1-1/4 | 3/16 | 2 |
| IL2-7G | IL6-7 | 5500 | 1/2-13 | 3/4 | 1-1/8 | 1-7/8 | 1/4 | 2 |
| IL2-7GF | IL6-7F | 5500 | 1/2-20 | 3/4 | 1-1/8 | 1-7/8 | 1/4 | 2 |
| IL2-8G | IL6-8 | 6000 | 5/8-11 | 7/8 | 1-1/4 | 2-1/2 | 5/16 | 2 |
| IL2-8GF | IL6-8F | 6000 | 5/8-18 | 7/8 | 1-1/4 | 2-1/2 | 5/16 | 2 |
| IL2-9G | IL6-9 | 8000 | 3/4-10 | 1-1/16 | 1-1/2 | 3 | 1/2 | 2 |
| IL2-9GF | IL6-9F | 8000 | 3/4-16 | 1-1/16 | 1-1/2 | 3 | 1/2 | 2 |
| IL2-10G | IL6-10 | 20000 | 1-8 | 1-1/2 | 1-7/8 | 4 | 13/32 | 4-1/4 |
| IL2-10GF | IL6-10F | 20000 | 1-12 | 1-1/2 | 1-7/8 | 4 | 13/32 | 4-1/4 |

Part numbers with an "F" indicate fine threads.

STEEL & STAINLESS STEEL WITH RUBBER PAD

| Steel | SS | Load | A | B | C | D | E | F |
|------------|-----------|-------|---------|--------|-------|-------|-------|-------|
| IL2-4G-P | IL6-4-P | 1050 | 1/4-20 | 1/2 | 53/64 | 1 | 5/32 | 1-1/4 |
| IL2-4GF-P | IL6-4F-P | 1050 | 1/4-28 | 1/2 | 53/64 | 1 | 5/32 | 1-1/4 |
| IL2-5G-P | IL6-5-P | 1050 | 5/16-18 | 1/2 | 53/64 | 1 | 5/32 | 1-1/4 |
| IL2-6G-P | IL6-6-P | 2250 | 3/8-16 | 5/8 | 1 | 1-1/4 | 3/16 | 2 |
| IL2-6GF-P | IL6-6F-P | 2250 | 3/8-24 | 5/8 | 1 | 1-1/4 | 3/16 | 2 |
| IL2-7G-P | IL6-7-P | 3750 | 1/2-13 | 3/4 | 1-1/4 | 1-7/8 | 1/4 | 2 |
| IL2-7GF-P | IL6-7F-P | 3750 | 1/2-20 | 3/4 | 1-1/4 | 1-7/8 | 1/4 | 2 |
| IL2-8G-P | IL6-8-P | 4500 | 5/8-11 | 7/8 | 1-3/8 | 2-1/2 | 5/16 | 2 |
| IL2-8GF-P | IL6-8F-P | 4500 | 5/8-18 | 7/8 | 1-3/8 | 2-1/2 | 5/16 | 2 |
| IL2-9G-P | IL6-9-P | 6000 | 3/4-10 | 1-1/16 | 1-5/8 | 3 | 1/2 | 2 |
| IL2-9GF-P | IL6-9F-P | 6000 | 3/4-16 | 1-1/16 | 1-5/8 | 3 | 1/2 | 2 |
| IL2-10G-P | IL6-10-P | 15000 | 1-8 | 1-1/2 | 2 | 4 | 13/32 | 4-1/4 |
| IL2-10GF-P | IL6-10F-P | 15000 | 1-12 | 1-1/2 | 2 | 4 | 13/32 | 4-1/4 |

Part numbers with an "F" indicate fine threads.



SLANT BASE EXTENDED STUD LEVELERS

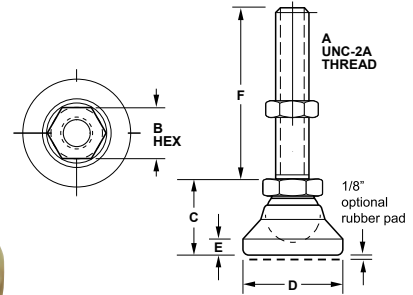
The IEC Slant Base Extended Stud Leveler is ideal for heavy-duty loads. Integrated ball and swivel socket provide a low-friction support interface. Ideal for cabinets, instruments, machinery and equipment.

Features

- Solid steel/stainless steel
- Integrated ball and socket
- Adjustable height
- Base adjusts 15° off centerline
- Standard gold irridite zinc finish
- Black chromate or clear chromate options
- Rubber pad or non-marring delrin base

Applications

- Equipment benches
- Machinery
- Instruments
- Enclosures



EXTENDED STUD LENGTHS - STEEL & STAINLESS STEEL

| Steel | SS | Load | A | B | C | D | E | F |
|-----------|----------|-------|--------|--------|-------|-------|-------|-------|
| IL2-4Gx2 | IL6-4x2 | 1400 | 1/4-20 | 1/2 | 45/64 | 1 | 5/32 | 2-1/2 |
| IL2-4GFx2 | IL6-4Fx2 | 1400 | 1/4-28 | 1/2 | 45/64 | 1 | 5/32 | 2-1/2 |
| IL2-6Gx4 | IL6-6x4 | 3000 | 3/8-16 | 5/8 | 7/8 | 1-1/4 | 3/16 | 4 |
| IL2-6GFx4 | IL6-6Fx4 | 3000 | 3/8-24 | 5/8 | 7/8 | 1-1/4 | 3/16 | 4 |
| IL2-7Gx4 | IL6-7x4 | 5500 | 1/2-13 | 3/4 | 1-1/8 | 1-7/8 | 1/4 | 4 |
| IL2-7GFx4 | IL6-7Fx4 | 5500 | 1/2-20 | 3/4 | 1-1/8 | 1-7/8 | 1/4 | 4 |
| IL2-8Gx4 | IL6-8x4 | 6000 | 5/8-11 | 7/8 | 1-1/4 | 2-1/2 | 5/16 | 4 |
| IL2-8GFx4 | IL6-8Fx4 | 6000 | 5/8-18 | 7/8 | 1-1/4 | 2-1/2 | 5/16 | 4 |
| IL2-9Gx4 | IL6-9x4 | 8000 | 3/4-10 | 1-1/16 | 1-1/2 | 3 | 1/2 | 4 |
| IL2-9GFx4 | IL6-9Fx4 | 8000 | 3/4-16 | 1-1/16 | 1-1/2 | 3 | 1/2 | 4 |
| IL2-10Gx8 | IL6-10x8 | 20000 | 1-8 | 1-1/2 | 1-7/8 | 4 | 13/32 | 8 |

Part numbers with an "F" indicate fine threads.

EXTENDED STUD LENGTHS - STEEL & STAINLESS STEEL WITH RUBBER PAD

| Steel | SS | Load | A | B | C | D | E | F |
|-------------|------------|-------|--------|--------|-------|-------|-------|-------|
| IL2-4Gx2-P | IL6-4x2-P | 1050 | 1/4-20 | 1/2 | 53/64 | 1 | 5/32 | 2-1/2 |
| IL2-4GFx2-P | IL6-4Fx2-P | 1050 | 1/4-28 | 1/2 | 53/64 | 1 | 5/32 | 2-1/2 |
| IL2-6Gx4-P | IL6-6x4-P | 2250 | 3/8-16 | 5/8 | 1 | 1-1/4 | 3/16 | 4 |
| IL2-6GFx4-P | IL6-6Fx4-P | 2250 | 3/8-24 | 5/8 | 1 | 1-1/4 | 3/16 | 4 |
| IL2-7Gx4-P | IL6-7x4-P | 3750 | 1/2-13 | 3/4 | 1-1/4 | 1-7/8 | 1/4 | 4 |
| IL2-7GFx4-P | IL6-7Fx4-P | 3750 | 1/2-20 | 3/4 | 1-1/4 | 1-7/8 | 1/4 | 4 |
| IL2-8Gx4-P | IL6-8x4-P | 4500 | 5/8-11 | 7/8 | 1-3/8 | 2-1/2 | 5/16 | 4 |
| IL2-8GFx4-P | IL6-8Fx4-P | 4500 | 5/8-18 | 7/8 | 1-3/8 | 2-1/2 | 5/16 | 4 |
| IL2-9Gx4-P | IL6-9x4-P | 6000 | 3/4-10 | 1-1/16 | 1-5/8 | 3 | 1/2 | 4 |
| IL2-9GFx4-P | IL6-9Fx4-P | 6000 | 3/4-16 | 1-1/16 | 1-5/8 | 3 | 1/2 | 4 |
| IL2-10Gx8-P | IL6-10x8-P | 15000 | 1-8 | 1-1/2 | 2 | 4 | 13/32 | 8 |

Part numbers with an "F" indicate fine threads.



SLANT BASE STUD LEVELERS

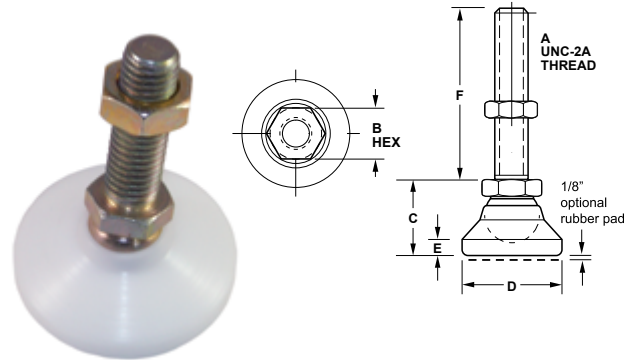
The IEC Slant Delrin® Base Stud Leveler is ideal for heavy-duty loads. Integrated ball and swivel socket provide a low-friction support interface. Ideal for cabinets, instruments, machinery and equipment.

Features

- Solid steel/stainless steel
- Integrated ball and socket
- Adjustable height
- Base adjusts 15° off centerline
- Standard gold irridite zinc finish
- Black chromate or clear chromate options
- Non-marring delrin base

Applications

- Equipment benches
- Machinery
- Instruments
- Enclosures



white base is delrin® plastic.

STANDARD STUD LENGTHS - DELIRIN BASE

| Steel | SS | Load | A | B | C | D | E | F |
|---------|---------|------|--------|--------|-------|-------|-------|-------|
| IL4-4W | IL4-4S | 200 | 1/4-20 | 1/2 | 45/64 | 1 | 5/32 | 1-1/4 |
| IL4-6W | IL4-6S | 300 | 3/8-16 | 5/8 | 7/8 | 1-1/4 | 3/16 | 2 |
| IL4-7W | IL4-7S | 700 | 1/2-13 | 3/4 | 1-1/8 | 1-7/8 | 1/4 | 2 |
| IL4-8W | IL4-8S | 1200 | 5/8-11 | 7/8 | 1-1/4 | 2-1/2 | 5/16 | 2 |
| IL4-9W | IL4-9S | 1800 | 3/4-10 | 1-1/16 | 1-1/2 | 3 | 1/2 | 2 |
| IL4-10W | IL4-10S | 2400 | 1-8 | 1-1/2 | 1-7/8 | 4 | 13/32 | 4-1/4 |

The delrin® base is white.

EXTENDED STUD LENGTHS - DELIRIN BASE

| Steel | SS | Load | A | B | C | D | E | F |
|-----------|-----------|------|--------|--------|-------|-------|-------|-------|
| IL4-4Wx2 | IL4-4Sx2 | 200 | 1/4-20 | 1/2 | 45/64 | 1 | 5/32 | 2-1/2 |
| IL4-6Wx4 | IL4-6Sx4 | 300 | 3/8-16 | 5/8 | 7/8 | 1-1/4 | 3/16 | 4 |
| IL4-7Wx4 | IL4-7Sx4 | 700 | 1/2-13 | 3/4 | 1-1/8 | 1-7/8 | 1/4 | 4 |
| IL4-8Wx4 | IL4-8Sx4 | 1200 | 5/8-11 | 7/8 | 1-1/4 | 2-1/2 | 5/16 | 4 |
| IL4-9Wx4 | IL4-9Sx4 | 1800 | 3/4-10 | 1-1/16 | 1-1/2 | 3 | 1/2 | 4 |
| IL4-10Wx8 | IL4-10Sx8 | 2400 | 1-8 | 1-1/2 | 1-7/8 | 4 | 13/32 | 8 |

The delrin® base is white.



HEAVY DUTY LEVELERS
SLANT BASE STUD - METRIC

SLANT BASE METRIC STUD LEVELERS

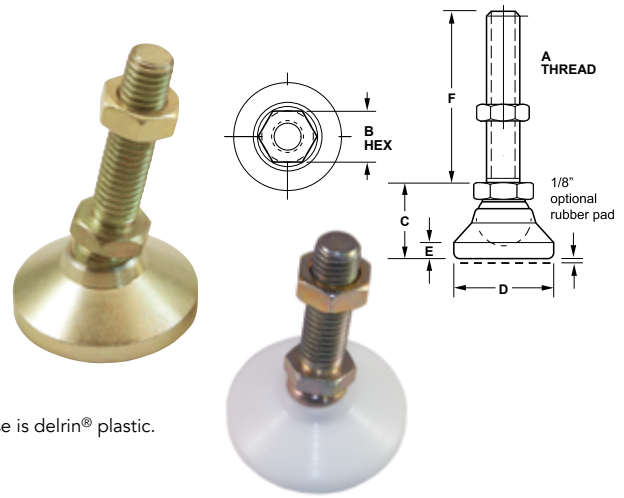
The IEC Metric Slant Base Stud Leveler is ideal for heavy-duty loads. Integrated ball and swivel socket provide a low-friction support interface. Ideal for cabinets, instruments, machinery and equipment.

Features

- Solid steel/stainless steel
- Integrated ball and socket
- Adjustable height
- Base adjusts 15° off centerline
- Standard gold irridite zinc finish
- Black chromate or clear chromate options
- Rubber pad or non-marring delrin base

Applications

- Equipment benches
- Machinery
- Instruments
- Enclosures



white base is delrin® plastic.

METRIC - STEEL & STAINLESS STEEL

| Steel | SS | Load | A | B | C | D | E | F |
|----------|---------|-------|----------|--------|-------|-------|-------|-------|
| IL2-M6G | IL6-M6 | 1400 | M6x1 | 1/2 | 45/64 | 1 | 5/32 | 1-1/4 |
| IL2-M10G | IL6-M10 | 3000 | M10x1.50 | 5/8 | 7/8 | 1-1/4 | 3/16 | 2 |
| IL2-M12G | IL6-M12 | 5500 | M12x1.75 | 3/4 | 1-1/8 | 1-7/8 | 1/4 | 2 |
| IL2-M16G | IL6-M16 | 6000 | M16x2.00 | 7/8 | 1-1/4 | 2-1/2 | 5/16 | 2 |
| IL2-M20G | IL6-M20 | 8000 | M20x2.50 | 1-1/16 | 1-1/2 | 3 | 1/2 | 2 |
| IL2-M24G | IL6-M24 | 20000 | M24x3.00 | 1-1/2 | 1-7/8 | 4 | 13/32 | 4-1/4 |

METRIC - STEEL & STAINLESS STEEL WITH RUBBER PAD

| Steel | SS | Load | A | B | C | D | E | F |
|------------|-----------|-------|----------|--------|-------|-------|-------|-------|
| IL2-M6G-P | IL6-M6-P | 1050 | M6x1 | 1/2 | 53/64 | 1 | 5/32 | 1-1/4 |
| IL2-M10G-P | IL6-M10-P | 2250 | M10x1.50 | 5/8 | 1 | 1-1/4 | 3/16 | 2 |
| IL2-M12G-P | IL6-M12-P | 3750 | M12x1.75 | 3/4 | 1-1/4 | 1-7/8 | 1/4 | 2 |
| IL2-M16G-P | IL6-M16-P | 4500 | M16x2.00 | 7/8 | 1-3/8 | 2-1/2 | 5/16 | 2 |
| IL2-M20G-P | IL6-M20-P | 6000 | M20x2.50 | 1-1/16 | 1-5/8 | 3 | 1/2 | 2 |
| IL2-M24G-P | IL6-M24-P | 15000 | M24x3.00 | 1-1/2 | 2 | 4 | 13/32 | 4-1/4 |

METRIC DELRIN BASE - STEEL & STAINLESS STEEL

| Steel | SS | Load | A | B | C | D | E | F |
|----------|----------|------|----------|--------|-------|-------|-------|-------|
| IL4-M6W | IL4-M6S | 200 | M6x1 | 1/2 | 45/64 | 1 | 5/32 | 1-1/4 |
| IL4-M10W | IL4-M10S | 300 | M10x1.50 | 5/8 | 7/8 | 1-1/4 | 3/16 | 2 |
| IL4-M12W | IL4-M12S | 700 | M12x1.75 | 3/4 | 1-1/8 | 1-7/8 | 1/4 | 2 |
| IL4-M16W | IL4-M16S | 1200 | M16x2.00 | 7/8 | 1-1/4 | 2-1/2 | 5/16 | 2 |
| IL4-M20W | IL4-M20S | 1800 | M20x2.50 | 1-1/16 | 1-1/2 | 3 | 1/2 | 2 |
| IL4-M24W | IL4-M24S | 2400 | M24x3.00 | 1-1/2 | 1-7/8 | 4 | 13/32 | 4-1/4 |

The delrin® base is white.



SLANT BASE METRIC EXTENDED STUD LEVELERS

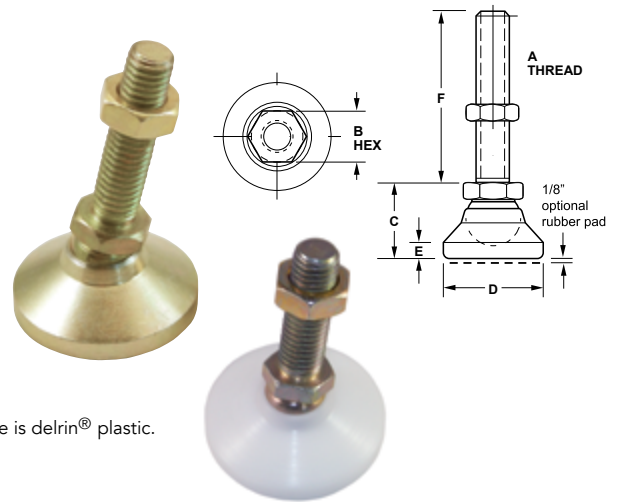
The IEC Metric Slant Base Extended Stud Leveler is ideal for heavy-duty loads. Integrated ball and swivel socket provide a low-friction support interface. Ideal for cabinets, instruments, machinery and equipment.

Features

- Solid steel/stainless steel
- Integrated ball and socket
- Adjustable height
- Base adjusts 15° off centerline
- Standard gold irridite zinc finish
- Black chromate or clear chromate options
- Rubber pad or non-marring delrin base

Applications

- Equipment benches
- Machinery
- Instruments
- Enclosures



white base is delrin® plastic.

EXTENDED STUD LENGTHS - METRIC STEEL & STAINLESS STEEL

| Steel | SS | Load | A | B | C | D | E | F |
|------------|-----------|-------|----------|--------|-------|-------|-------|-------|
| IL2-M6Gx2 | IL6-M6x2 | 1400 | M6x1 | 1/2 | 45/64 | 1 | 5/32 | 2-1/2 |
| IL2-M10Gx4 | IL6-M10x4 | 3000 | M10x1.50 | 5/8 | 7/8 | 1-1/4 | 3/16 | 4 |
| IL2-M12Gx4 | IL6-M12x4 | 5500 | M12x1.75 | 3/4 | 1-1/8 | 1-7/8 | 1/4 | 4 |
| IL2-M16Gx4 | IL6-M16x4 | 6000 | M16x2.00 | 7/8 | 1-1/4 | 2-1/2 | 5/16 | 4 |
| IL2-M20Gx4 | IL6-M20x4 | 8000 | M20x2.50 | 1-1/16 | 1-1/2 | 3 | 1/2 | 4 |
| IL2-M24Gx8 | IL6-M24x8 | 20000 | M24x3.00 | 1-1/2 | 1-7/8 | 4 | 13/32 | 8 |

EXTENDED STUD LENGTHS - METRIC STEEL & STAINLESS STEEL WITH RUBBER PAD

| Steel | SS | Load | A | B | C | D | E | F |
|--------------|-------------|-------|----------|--------|-------|-------|-------|-------|
| IL2-M6Gx2-P | IL6-M6x2-P | 1050 | M6x1 | 1/2 | 53/64 | 1 | 5/32 | 2-1/2 |
| IL2-M10Gx4-P | IL6-M10x4-P | 2250 | M10x1.50 | 5/8 | 1 | 1-1/4 | 3/16 | 4 |
| IL2-M12Gx4-P | IL6-M12x4-P | 3750 | M12x1.75 | 3/4 | 1-1/4 | 1-7/8 | 1/4 | 4 |
| IL2-M16Gx4-P | IL6-M16x4-P | 4500 | M16x2.00 | 7/8 | 1-3/8 | 2-1/2 | 5/16 | 4 |
| IL2-M20Gx4-P | IL6-M20x4-P | 6000 | M20x2.50 | 1-1/16 | 1-5/8 | 3 | 1/2 | 4 |
| IL2-M24Gx8-P | IL6-M24x8-P | 15000 | M24x3.00 | 1-1/2 | 2 | 4 | 13/32 | 8 |

DELRIN BASE - EXTENDED STUD LENGTHS - METRIC STEEL & STAINLESS STEEL

| Steel | SS | Load | A | B | C | D | E | F |
|------------|------------|------|----------|--------|-------|-------|-------|-------|
| IL4-M6Wx2 | IL4-M6Sx2 | 200 | M6x1 | 1/2 | 45/64 | 1 | 5/32 | 2-1/2 |
| IL4-M10Wx4 | IL4-M10Sx4 | 300 | M10x1.50 | 5/8 | 7/8 | 1-1/4 | 3/16 | 4 |
| IL4-M12Wx4 | IL4-M12Sx4 | 700 | M12x1.75 | 3/4 | 1-1/8 | 1-7/8 | 1/4 | 4 |
| IL4-M16Wx4 | IL4-M16Sx4 | 1200 | M16x2.00 | 7/8 | 1-1/4 | 2-1/2 | 5/16 | 4 |
| IL4-M20Wx4 | IL4-M20Sx4 | 1800 | M20x2.50 | 1-1/16 | 1-1/2 | 3 | 1/2 | 4 |
| IL4-M24Wx8 | IL4-M24Sx8 | 2400 | M24x3.00 | 1-1/2 | 1-7/8 | 4 | 13/32 | 8 |

The delrin® base is white.