



HEAVY DUTY LEVELERS
SLANT BASE SOCKET

SLANT BASE SOCKET LEVELERS

The IEC Slant Base Socket Leveler with steel, stainless steel or white delrin® plastic base is ideal for heavy-duty loads where a stud is not required. Integrated ball and swivel socket provide low-friction support. Ideal for cabinets, instruments, machinery and equipment.

Features

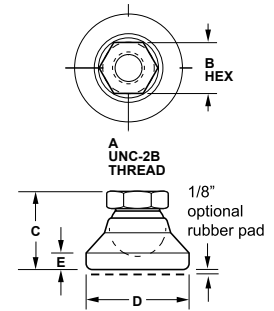
- Solid steel/stainless steel
- Integrated ball and socket
- Adjustable height
- Base adjusts 15° off centerline
- Standard gold irridite zinc finish
- Black or clear chromate, rubber pad or non-marring delrin base

Applications

- Equipment benches
- Machinery
- Instruments
- Enclosures



white base is delrin® plastic.



STEEL & STAINLESS STEEL

Steel	SS	Load	A	B	C	D	E
IL1-4G	IL5-4	1400	1/4-20	1/2	45/64	1	5/32
IL1-4GF	IL5-4F	1400	1/4-28	1/2	45/64	1	5/32
IL1-5G	IL5-5	1400	1/4-28	1/2	45/64	1	5/32
IL1-6G	IL5-6	3000	3/8-16	5/8	7/8	1-1/4	3/16
IL1-6GF	IL5-6F	3000	3/8-24	5/8	7/8	1-1/4	3/16
IL1-7G	IL5-7	5500	1/2-13	3/4	1-1/8	1-7/8	1/4
IL1-7GF	IL5-7F	5500	1/2-20	3/4	1-1/8	1-7/8	1/4
IL1-8G	IL5-8	6000	5/8-11	7/8	1-1/4	2-1/2	5/16
IL1-8GF	IL5-8F	6000	5/8-18	7/8	1-1/4	2-1/2	5/16
IL1-9G	IL5-9	8000	3/4-10	1-1/16	1-1/2	3	1/2
IL1-9GF	IL5-9F	8000	3/4-16	1-1/16	1-1/2	3	1/2
IL1-10G	IL5-10	20000	1-8	1-1/2	1-7/8	4	13/32
IL1-10GF	IL5-10F	20000	1-12	1-1/2	1-7/8	4	13/32

STEEL & STAINLESS STEEL WITH RUBBER PAD

Steel	SS	Load	A	B	C	D	E
IL1-4G-P	IL5-4-P	1050	1/4-20	1/2	53/64	1	5/32
IL1-4GF-P	IL5-4F-P	1050	1/4-28	1/2	53/64	1	5/32
IL1-5G-P	IL5-5-P	1050	1/4-20	1/2	53/64	1	5/32
IL1-6G-P	IL5-6-P	2250	3/8-16	5/8	1	1-1/4	3/16
IL1-6GF-P	IL5-6F-P	2250	3/8-24	5/8	1	1-1/4	3/16
IL1-7G-P	IL5-7-P	3750	1/2-13	3/4	1-1/4	1-7/8	1/4
IL1-7GF-P	IL5-7F-P	3750	1/2-20	3/4	1-1/4	1-7/8	1/4
IL1-8G-P	IL5-8-P	4500	5/8-11	7/8	1-3/8	2-1/2	5/16
IL1-8GF-P	IL5-8F-P	4500	5/8-18	7/8	1-3/8	2-1/2	5/16
IL1-9G-P	IL5-9-P	6000	3/4-10	1-1/16	1-5/8	3	1/2
IL1-9GF-P	IL5-9F-P	6000	3/4-16	1-1/16	1-5/8	3	1/2
IL1-10G-P	IL5-10-P	15000	1-8	1-1/2	2	4	13/32
IL1-10GF-P	IL5-10F-P	15000	1-12	1-1/2	2	4	13/32

DELTRIN BASE - STEEL & STAINLESS STEEL

Steel	SS	Load	A	B	C	D	E
IL3-4W	IL3-4S	200	1/4-20	1/2	45/64	1	5/32
IL3-6W	IL3-6S	300	3/8-16	5/8	7/8	1-1/4	3/16
IL3-7W	IL3-7S	700	1/2-13	3/4	1-1/8	1-7/8	1/4
IL3-8W	IL3-8S	1200	5/8-11	7/8	1-1/4	2-1/2	5/16
IL3-9W	IL3-9S	1800	3/4-10	1-1/16	1-1/2	3	1/2
IL3-10W	IL3-10S	2400	1-8	1-1/2	1-7/8	4	13/32



SLANT BASE METRIC SOCKET LEVELERS

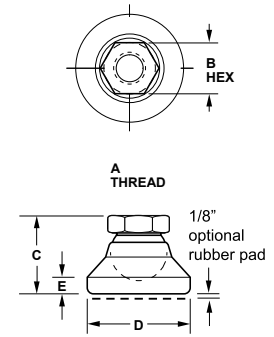
The IEC Slant Base Metric Socket Leveler with steel, stainless steel or white delrin® plastic base is ideal for heavy-duty loads where a stud is not required. Integrated ball and swivel socket provide a low-friction support interface. Ideal for cabinets, instruments, machinery and equipment.

Features

- Solid steel/stainless steel
- Integrated ball and socket
- Adjustable height
- Base adjusts 15° off centerline
- Standard gold irridite zinc finish
- Black chromate or clear chromate options
- Rubber pad or non-marring delrin base

Applications

- Equipment benches
- Machinery
- Instruments
- Enclosures



white base is delrin® plastic.

METRIC STEEL & STAINLESS STEEL

Steel	SS	Load	A	B	C	D	E
IL1-M6G	IL5-M6	1400	M6x1	1/2	45/64	1	5/32
IL1-M10G	IL5-M10	3000	M10x1.50	5/8	7/8	1-1/4	3/16
IL1-M12G	IL5-M12	5500	M12x1.75	3/4	1-1/8	1-7/8	1/4
IL1-M16G	IL5-M16	6000	M16x2.00	7/8	1-1/4	2-1/2	5/16
IL1-M20G	IL5-M20	8000	M20x2.50	1-1/16	1-1/2	3	1/2
IL1-M24G	IL5-M24	20000	M24x3.00	1-1/2	1-7/8	4	13/32

METRIC STEEL & STAINLESS STEEL WITH RUBBER PAD

Steel	SS	Load	A	B	C	D	E
IL1-M6G-P	IL5-M6-P	1050	M6x1	1/2	53/64	1	5/32
IL1-M10G-P	IL5-M10-P	2250	M10x1.50	5/8	1	1-1/4	3/16
IL1-M12G-P	IL5-M12-P	3750	M12x1.75	3/4	1-1/4	1-7/8	1/4
IL1-M16G-P	IL5-M16-P	4500	M16x2.00	7/8	1-3/8	2-1/2	5/16
IL1-M20G-P	IL5-M20-P	6000	M20x2.50	1-1/16	1-5/8	3	1/2
IL1-M24G-P	IL5-M24-P	15000	M24x3.00	1-1/2	2	4	13/32

DELRIN BASE - METRIC STEEL & STAINLESS STEEL

Steel	SS	Load	A	B	C	D	E
IL3-M6W	IL3-M6S	200	M6x1	1/2	45/64	1	5/32
IL3-M10W	IL3-M10S	300	M10x1.50	5/8	7/8	1-1/4	3/16
IL3-M12W	IL3-M12S	700	M12x1.75	3/4	1-1/8	1-7/8	1/4
IL3-M16W	IL3-M16S	1200	M16x2.00	7/8	1-1/4	2-1/2	5/16
IL3-M20W	IL3-M20S	1800	M20x2.50	1-1/16	1-1/2	3	1/2
IL3-M24W	IL3-M24S	2400	M24x3.00	1-1/2	1-7/8	4	13/32

The delrin® base is white.



SLANT BASE STUD LEVELERS

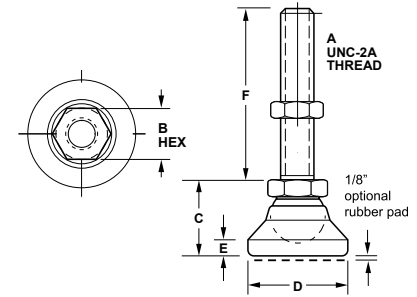
The IEC Slant Base Stud Leveler is ideal for heavy-duty loads. Integrated ball and swivel socket provide a low-friction support interface. Ideal for cabinets, instruments, machinery and equipment.

Features

- Solid steel/stainless steel
- Integrated ball and socket
- Adjustable height
- Base adjusts 15° off centerline
- Standard gold irridite zinc finish
- Black chromate or clear chromate options
- Rubber pad or non-marring delrin base

Applications

- Equipment benches
- Machinery
- Instruments
- Enclosures



STEEL & STAINLESS STEEL

Steel	SS	Load	A	B	C	D	E	F
IL2-4G	IL6-4	1400	1/4-20	1/2	45/64	1	5/32	1-1/4
IL2-4GF	IL6-4F	1400	1/4-28	1/2	45/64	1	5/32	1-1/4
IL2-5G	IL6-5	1400	5/16-18	1/2	45/64	1	5/32	1-1/4
IL2-6G	IL6-6	3000	3/8-16	5/8	7/8	1-1/4	3/16	2
IL2-6GF	IL6-6F	3000	3/8-24	5/8	7/8	1-1/4	3/16	2
IL2-7G	IL6-7	5500	1/2-13	3/4	1-1/8	1-7/8	1/4	2
IL2-7GF	IL6-7F	5500	1/2-20	3/4	1-1/8	1-7/8	1/4	2
IL2-8G	IL6-8	6000	5/8-11	7/8	1-1/4	2-1/2	5/16	2
IL2-8GF	IL6-8F	6000	5/8-18	7/8	1-1/4	2-1/2	5/16	2
IL2-9G	IL6-9	8000	3/4-10	1-1/16	1-1/2	3	1/2	2
IL2-9GF	IL6-9F	8000	3/4-16	1-1/16	1-1/2	3	1/2	2
IL2-10G	IL6-10	20000	1-8	1-1/2	1-7/8	4	13/32	4-1/4
IL2-10GF	IL6-10F	20000	1-12	1-1/2	1-7/8	4	13/32	4-1/4

Part numbers with an "F" indicate fine threads.

STEEL & STAINLESS STEEL WITH RUBBER PAD

Steel	SS	Load	A	B	C	D	E	F
IL2-4G-P	IL6-4-P	1050	1/4-20	1/2	53/64	1	5/32	1-1/4
IL2-4GF-P	IL6-4F-P	1050	1/4-28	1/2	53/64	1	5/32	1-1/4
IL2-5G-P	IL6-5-P	1050	5/16-18	1/2	53/64	1	5/32	1-1/4
IL2-6G-P	IL6-6-P	2250	3/8-16	5/8	1	1-1/4	3/16	2
IL2-6GF-P	IL6-6F-P	2250	3/8-24	5/8	1	1-1/4	3/16	2
IL2-7G-P	IL6-7-P	3750	1/2-13	3/4	1-1/4	1-7/8	1/4	2
IL2-7GF-P	IL6-7F-P	3750	1/2-20	3/4	1-1/4	1-7/8	1/4	2
IL2-8G-P	IL6-8-P	4500	5/8-11	7/8	1-3/8	2-1/2	5/16	2
IL2-8GF-P	IL6-8F-P	4500	5/8-18	7/8	1-3/8	2-1/2	5/16	2
IL2-9G-P	IL6-9-P	6000	3/4-10	1-1/16	1-5/8	3	1/2	2
IL2-9GF-P	IL6-9F-P	6000	3/4-16	1-1/16	1-5/8	3	1/2	2
IL2-10G-P	IL6-10-P	15000	1-8	1-1/2	2	4	13/32	4-1/4
IL2-10GF-P	IL6-10F-P	15000	1-12	1-1/2	2	4	13/32	4-1/4

Part numbers with an "F" indicate fine threads.



SLANT BASE EXTENDED STUD LEVELERS

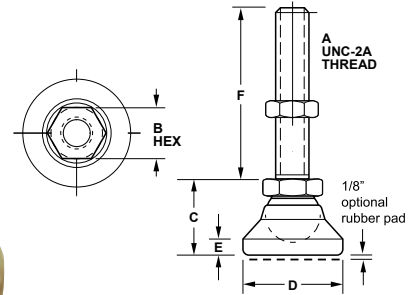
The IEC Slant Base Extended Stud Leveler is ideal for heavy-duty loads. Integrated ball and swivel socket provide a low-friction support interface. Ideal for cabinets, instruments, machinery and equipment.

Features

- Solid steel/stainless steel
- Integrated ball and socket
- Adjustable height
- Base adjusts 15° off centerline
- Standard gold irridite zinc finish
- Black chromate or clear chromate options
- Rubber pad or non-marring delrin base

Applications

- Equipment benches
- Machinery
- Instruments
- Enclosures



EXTENDED STUD LENGTHS - STEEL & STAINLESS STEEL

Steel	SS	Load	A	B	C	D	E	F
IL2-4Gx2	IL6-4x2	1400	1/4-20	1/2	45/64	1	5/32	2-1/2
IL2-4GFx2	IL6-4Fx2	1400	1/4-28	1/2	45/64	1	5/32	2-1/2
IL2-6Gx4	IL6-6x4	3000	3/8-16	5/8	7/8	1-1/4	3/16	4
IL2-6GFx4	IL6-6Fx4	3000	3/8-24	5/8	7/8	1-1/4	3/16	4
IL2-7Gx4	IL6-7x4	5500	1/2-13	3/4	1-1/8	1-7/8	1/4	4
IL2-7GFx4	IL6-7Fx4	5500	1/2-20	3/4	1-1/8	1-7/8	1/4	4
IL2-8Gx4	IL6-8x4	6000	5/8-11	7/8	1-1/4	2-1/2	5/16	4
IL2-8GFx4	IL6-8Fx4	6000	5/8-18	7/8	1-1/4	2-1/2	5/16	4
IL2-9Gx4	IL6-9x4	8000	3/4-10	1-1/16	1-1/2	3	1/2	4
IL2-9GFx4	IL6-9Fx4	8000	3/4-16	1-1/16	1-1/2	3	1/2	4
IL2-10Gx8	IL6-10x8	20000	1-8	1-1/2	1-7/8	4	13/32	8

Part numbers with an "F" indicate fine threads.

EXTENDED STUD LENGTHS - STEEL & STAINLESS STEEL WITH RUBBER PAD

Steel	SS	Load	A	B	C	D	E	F
IL2-4Gx2-P	IL6-4x2-P	1050	1/4-20	1/2	53/64	1	5/32	2-1/2
IL2-4GFx2-P	IL6-4Fx2-P	1050	1/4-28	1/2	53/64	1	5/32	2-1/2
IL2-6Gx4-P	IL6-6x4-P	2250	3/8-16	5/8	1	1-1/4	3/16	4
IL2-6GFx4-P	IL6-6Fx4-P	2250	3/8-24	5/8	1	1-1/4	3/16	4
IL2-7Gx4-P	IL6-7x4-P	3750	1/2-13	3/4	1-1/4	1-7/8	1/4	4
IL2-7GFx4-P	IL6-7Fx4-P	3750	1/2-20	3/4	1-1/4	1-7/8	1/4	4
IL2-8Gx4-P	IL6-8x4-P	4500	5/8-11	7/8	1-3/8	2-1/2	5/16	4
IL2-8GFx4-P	IL6-8Fx4-P	4500	5/8-18	7/8	1-3/8	2-1/2	5/16	4
IL2-9Gx4-P	IL6-9x4-P	6000	3/4-10	1-1/16	1-5/8	3	1/2	4
IL2-9GFx4-P	IL6-9Fx4-P	6000	3/4-16	1-1/16	1-5/8	3	1/2	4
IL2-10Gx8-P	IL6-10x8-P	15000	1-8	1-1/2	2	4	13/32	8

Part numbers with an "F" indicate fine threads.



SLANT BASE STUD LEVELERS

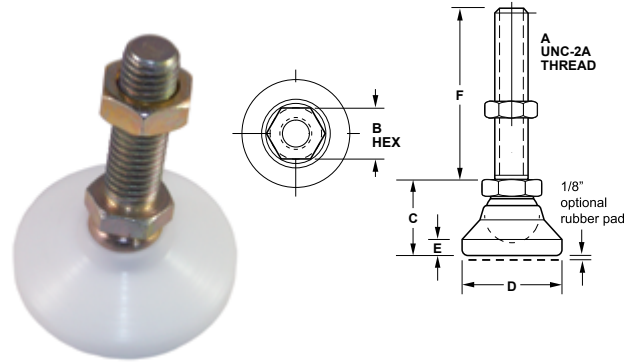
The IEC Slant Delrin® Base Stud Leveler is ideal for heavy-duty loads. Integrated ball and swivel socket provide a low-friction support interface. Ideal for cabinets, instruments, machinery and equipment.

Features

- Solid steel/stainless steel
- Integrated ball and socket
- Adjustable height
- Base adjusts 15° off centerline
- Standard gold irridite zinc finish
- Black chromate or clear chromate options
- Non-marring delrin base

Applications

- Equipment benches
- Machinery
- Instruments
- Enclosures



white base is delrin® plastic.

STANDARD STUD LENGTHS - DELIRIN BASE

Steel	SS	Load	A	B	C	D	E	F
IL4-4W	IL4-4S	200	1/4-20	1/2	45/64	1	5/32	1-1/4
IL4-6W	IL4-6S	300	3/8-16	5/8	7/8	1-1/4	3/16	2
IL4-7W	IL4-7S	700	1/2-13	3/4	1-1/8	1-7/8	1/4	2
IL4-8W	IL4-8S	1200	5/8-11	7/8	1-1/4	2-1/2	5/16	2
IL4-9W	IL4-9S	1800	3/4-10	1-1/16	1-1/2	3	1/2	2
IL4-10W	IL4-10S	2400	1-8	1-1/2	1-7/8	4	13/32	4-1/4

The delrin® base is white.

EXTENDED STUD LENGTHS - DELIRIN BASE

Steel	SS	Load	A	B	C	D	E	F
IL4-4Wx2	IL4-4Sx2	200	1/4-20	1/2	45/64	1	5/32	2-1/2
IL4-6Wx4	IL4-6Sx4	300	3/8-16	5/8	7/8	1-1/4	3/16	4
IL4-7Wx4	IL4-7Sx4	700	1/2-13	3/4	1-1/8	1-7/8	1/4	4
IL4-8Wx4	IL4-8Sx4	1200	5/8-11	7/8	1-1/4	2-1/2	5/16	4
IL4-9Wx4	IL4-9Sx4	1800	3/4-10	1-1/16	1-1/2	3	1/2	4
IL4-10Wx8	IL4-10Sx8	2400	1-8	1-1/2	1-7/8	4	13/32	8

The delrin® base is white.



HEAVY DUTY LEVELERS
SLANT BASE STUD - METRIC

SLANT BASE METRIC STUD LEVELERS

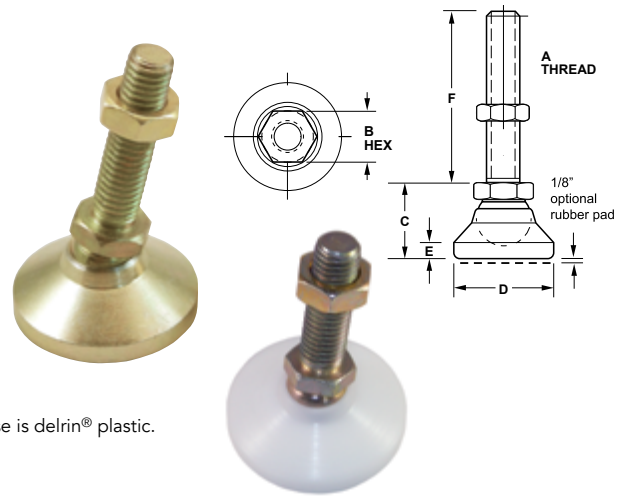
The IEC Metric Slant Base Stud Leveler is ideal for heavy-duty loads. Integrated ball and swivel socket provide a low-friction support interface. Ideal for cabinets, instruments, machinery and equipment.

Features

- Solid steel/stainless steel
- Integrated ball and socket
- Adjustable height
- Base adjusts 15° off centerline
- Standard gold irridite zinc finish
- Black chromate or clear chromate options
- Rubber pad or non-marring delrin base

Applications

- Equipment benches
- Machinery
- Instruments
- Enclosures



white base is delrin® plastic.

METRIC - STEEL & STAINLESS STEEL

Steel	SS	Load	A	B	C	D	E	F
IL2-M6G	IL6-M6	1400	M6x1	1/2	45/64	1	5/32	1-1/4
IL2-M10G	IL6-M10	3000	M10x1.50	5/8	7/8	1-1/4	3/16	2
IL2-M12G	IL6-M12	5500	M12x1.75	3/4	1-1/8	1-7/8	1/4	2
IL2-M16G	IL6-M16	6000	M16x2.00	7/8	1-1/4	2-1/2	5/16	2
IL2-M20G	IL6-M20	8000	M20x2.50	1-1/16	1-1/2	3	1/2	2
IL2-M24G	IL6-M24	20000	M24x3.00	1-1/2	1-7/8	4	13/32	4-1/4

METRIC - STEEL & STAINLESS STEEL WITH RUBBER PAD

Steel	SS	Load	A	B	C	D	E	F
IL2-M6G-P	IL6-M6-P	1050	M6x1	1/2	53/64	1	5/32	1-1/4
IL2-M10G-P	IL6-M10-P	2250	M10x1.50	5/8	1	1-1/4	3/16	2
IL2-M12G-P	IL6-M12-P	3750	M12x1.75	3/4	1-1/4	1-7/8	1/4	2
IL2-M16G-P	IL6-M16-P	4500	M16x2.00	7/8	1-3/8	2-1/2	5/16	2
IL2-M20G-P	IL6-M20-P	6000	M20x2.50	1-1/16	1-5/8	3	1/2	2
IL2-M24G-P	IL6-M24-P	15000	M24x3.00	1-1/2	2	4	13/32	4-1/4

METRIC DELRIN BASE - STEEL & STAINLESS STEEL

Steel	SS	Load	A	B	C	D	E	F
IL4-M6W	IL4-M6S	200	M6x1	1/2	45/64	1	5/32	1-1/4
IL4-M10W	IL4-M10S	300	M10x1.50	5/8	7/8	1-1/4	3/16	2
IL4-M12W	IL4-M12S	700	M12x1.75	3/4	1-1/8	1-7/8	1/4	2
IL4-M16W	IL4-M16S	1200	M16x2.00	7/8	1-1/4	2-1/2	5/16	2
IL4-M20W	IL4-M20S	1800	M20x2.50	1-1/16	1-1/2	3	1/2	2
IL4-M24W	IL4-M24S	2400	M24x3.00	1-1/2	1-7/8	4	13/32	4-1/4

The delrin® base is white.



SLANT BASE METRIC EXTENDED STUD LEVELERS

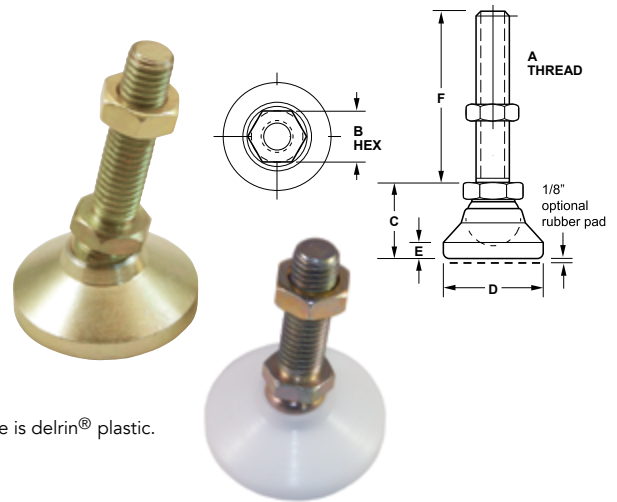
The IEC Metric Slant Base Extended Stud Leveler is ideal for heavy-duty loads. Integrated ball and swivel socket provide a low-friction support interface. Ideal for cabinets, instruments, machinery and equipment.

Features

- Solid steel/stainless steel
- Integrated ball and socket
- Adjustable height
- Base adjusts 15° off centerline
- Standard gold irridite zinc finish
- Black chromate or clear chromate options
- Rubber pad or non-marring delrin base

Applications

- Equipment benches
- Machinery
- Instruments
- Enclosures



white base is delrin® plastic.

EXTENDED STUD LENGTHS - METRIC STEEL & STAINLESS STEEL

Steel	SS	Load	A	B	C	D	E	F
IL2-M6Gx2	IL6-M6x2	1400	M6x1	1/2	45/64	1	5/32	2-1/2
IL2-M10Gx4	IL6-M10x4	3000	M10x1.50	5/8	7/8	1-1/4	3/16	4
IL2-M12Gx4	IL6-M12x4	5500	M12x1.75	3/4	1-1/8	1-7/8	1/4	4
IL2-M16Gx4	IL6-M16x4	6000	M16x2.00	7/8	1-1/4	2-1/2	5/16	4
IL2-M20Gx4	IL6-M20x4	8000	M20x2.50	1-1/16	1-1/2	3	1/2	4
IL2-M24Gx8	IL6-M24x8	20000	M24x3.00	1-1/2	1-7/8	4	13/32	8

EXTENDED STUD LENGTHS - METRIC STEEL & STAINLESS STEEL WITH RUBBER PAD

Steel	SS	Load	A	B	C	D	E	F
IL2-M6Gx2-P	IL6-M6x2-P	1050	M6x1	1/2	53/64	1	5/32	2-1/2
IL2-M10Gx4-P	IL6-M10x4-P	2250	M10x1.50	5/8	1	1-1/4	3/16	4
IL2-M12Gx4-P	IL6-M12x4-P	3750	M12x1.75	3/4	1-1/4	1-7/8	1/4	4
IL2-M16Gx4-P	IL6-M16x4-P	4500	M16x2.00	7/8	1-3/8	2-1/2	5/16	4
IL2-M20Gx4-P	IL6-M20x4-P	6000	M20x2.50	1-1/16	1-5/8	3	1/2	4
IL2-M24Gx8-P	IL6-M24x8-P	15000	M24x3.00	1-1/2	2	4	13/32	8

DELRIN BASE - EXTENDED STUD LENGTHS - METRIC STEEL & STAINLESS STEEL

Steel	SS	Load	A	B	C	D	E	F
IL4-M6Wx2	IL4-M6Sx2	200	M6x1	1/2	45/64	1	5/32	2-1/2
IL4-M10Wx4	IL4-M10Sx4	300	M10x1.50	5/8	7/8	1-1/4	3/16	4
IL4-M12Wx4	IL4-M12Sx4	700	M12x1.75	3/4	1-1/8	1-7/8	1/4	4
IL4-M16Wx4	IL4-M16Sx4	1200	M16x2.00	7/8	1-1/4	2-1/2	5/16	4
IL4-M20Wx4	IL4-M20Sx4	1800	M20x2.50	1-1/16	1-1/2	3	1/2	4
IL4-M24Wx8	IL4-M24Sx8	2400	M24x3.00	1-1/2	1-7/8	4	13/32	8

The delrin® base is white.