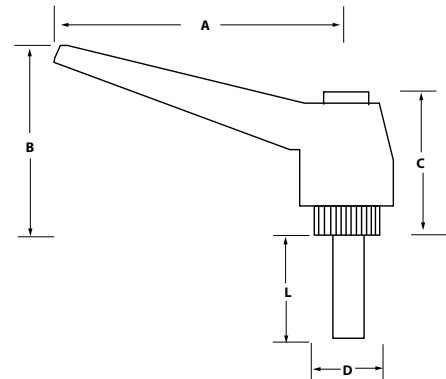




**KNOBS
& ADJUSTABLE HANDLES**

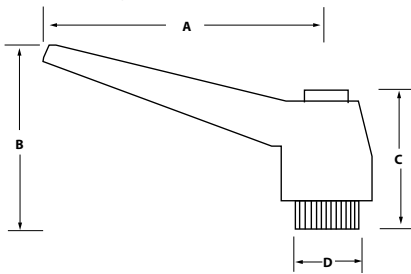
Adjustable Ratchet Handles

These *adjustable ratchet levers* are offered in both male and female thread types. The handle is made of glass reinforced nylon. Zinc plated steel stud or brass insert. Just push the red button to lift and rotate the ratchet handle. Especially useful for confined space locations or when extra clamping force is required. Also available in *orange* color (add -O to part number).

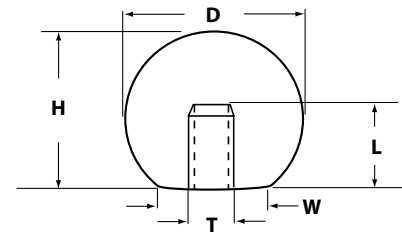


ADJUSTABLE RATCHET HANDLES

P/N (female)	P/N (male)	Thread	A	B	C	D	L
IL220F-3	IL220M-3X75	10-24	1-3/4	1-1/4	1	1/2	3/4
IL221F-4	IL221M-4X75	1/4-20	1-3/4	1-1/4	1	1/2	3/4
IL221F-4		1/4-20	2-1/2	1-3/4	1-1/2	5/8	
IL222F-5	IL222M-5X118	5/16-18	2-1/2	1-3/4	1-1/2	5/8	1-3/16
	IL223M-5X156	5/16-18	2-1/2	1-3/4	1-1/2	5/8	1-9/16
IL224F-6	IL224M-6X118	3/8-16	3-1/4	2-1/4	1-3/4	3/4	1-3/16
	IL225M-6X156	3/8-16	3-1/4	2-1/4	1-3/4	3/4	1-9/16
IL226F-7	IL226M-7X138	1/2-13	4	2-5/8	2	1	1-3/8



These *round phenolic ball knobs* are offered in female thread with zinc plated steel insert and press-fit hole types.



ROUND PHENOLIC PHENOLIC BALL KNOBS

P/N (female)	P/N (hole type)	Thread	D	H	Hole Depth	Press-Fit Stud
IL230F-3F		10-32	5/8	9/16		
IL231F-3	IL231H	10-24	3/4	11/16	1/2	13/16
IL232F-4		1/4-20	3/4	11/16		
IL233F-4	IL233H	1/4-20	1	7/8	5/8	1/4
IL234F-5		5/16-18	1	7/8		
IL235F-5	IL235H	5/16-18	1-1/4	1-3/16	9/16	5/16
IL236F-6	IL236H	3/8-16	1-1/2	1-7/16	3/4	3/8
IL237F-7	IL237H	1/2-13	1-3/4	1-11/16	13/16	1/2