



LOW-PROFILE METRIC STUD LEVELERS

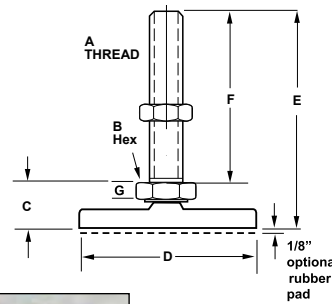
The IEC Metric Low-Profile Stud Leveler features an exclusive ball design that minimizes base separation. Ideal for heavy-duty load requirements. Integrated ball and swivel socket provide a low-friction support interface. Perfect for cabinets, instruments, machinery and equipment.

Features

- Steel/stainless steel options
- Integrated ball and stud
- Adjustable height
- Base adjusts 15° off centerline
- Standard gold irridite zinc finish
- Black oxide or clear chromate options
- Optional rubber pad (add -P)
- Non-tilt and extended stud length designs (2" - 8")
- Optional Top-A-Just™ shown at right. (add "-BR" to P/N)

Applications

- Electronic equipment
- Enclosures
- Conveyors
- Machinery
- Work tables
- Display racks



LOW PROFILE - METRIC STEEL & STAINLESS STEEL (1" & 2" STUD)

Steel	Stainless	Load	A	B	C	D	E	F	G
IL60-M6Gx1	IL60-M6Sx1	100	M6x1	1/2	3/4	3/4	1-3/4	1	3/16
IL60-M8Gx1	IL60-M8Sx1	500	M8x1.25	1/2	3/4	3/4	1-3/4	1	3/16
IL60-M6G	IL60-M6S	100	M6x1	1/2	3/4	3/4	2-3/4	2	3/16
IL60-M8G	IL60-M8S	500	M8x1.25	1/2	3/4	3/4	2-3/4	2	3/16
IL60-M10G	IL60-M10S	1000	M10x1.50	1/2	3/4	3/4	2-3/4	2	3/16
IL60-M12G	IL60-M12S	2000	M12x1.75	1/2	3/4	3/4	2-3/4	2	3/16
IL60-M16G	IL60-M16S	3000	M16x2.00	5/8	3/4	3/4	2-3/4	2	3/16
IL60-M20G	IL60-M20S	4000	M20x2.50	3/4	3/4	3/4	2-3/4	2	3/16
IL60-M24G	IL60-M24S	5000	M24x3.00	1	1	3/4	3	2	1/2
IL62-M6Gx1	IL62-M6Sx1	100	M6x1	1/2	3/4	1 1/4	1-3/4	1	3/16
IL62-M8Gx1	IL62-M8Sx1	500	M8x1.25	1/2	3/4	1 1/4	1-3/4	1	3/16
IL62-M6G	IL62-M6S	100	M6x1	1/2	3/4	1 1/4	2-3/4	2	3/16
IL62-M8G	IL62-M8S	500	M8x1.25	1/2	3/4	1 1/4	2-3/4	2	3/16
IL62-M10G	IL62-M10S	1000	M10x1.50	1/2	3/4	1 1/4	2-3/4	2	3/16
IL62-M12G	IL62-M12S	2000	M12x1.75	1/2	3/4	1 1/4	2-3/4	2	3/16
IL62-M16G	IL62-M16S	3000	M16x2.00	5/8	3/4	1 1/4	2-3/4	2	3/16
IL62-M20G	IL62-M20S	4000	M20x2.50	3/4	3/4	1 1/4	2-3/4	2	3/16
IL62-M24G	IL62-M24S	5000	M24x3.00	1	1	1 1/4	3	2	1/2
IL64-M6Gx1	IL64-M6Sx1	100	M6x1	1/2	3/4	1 7/8	1-3/4	1	3/16
IL64-M8Gx1	IL64-M8Sx1	500	M8x1.25	1/2	3/4	1 7/8	1-3/4	1	3/16
IL64-M6G	IL64-M6S	100	M6x1	1/2	3/4	1 7/8	2-3/4	2	3/16
IL64-M8G	IL64-M8S	500	M8x1.25	1/2	3/4	1 7/8	2-3/4	2	3/16
IL64-M10G	IL64-M10S	3000	M10x1.50	1/2	3/4	1 7/8	2-3/4	2	3/16
IL64-M12G	IL64-M12S	5000	M12x1.75	1/2	3/4	1 7/8	2-3/4	2	3/16
IL64-M16G	IL64-M16S	6000	M16x2.00	5/8	3/4	1 7/8	2-3/4	2	3/16
IL64-M20G	IL64-M20S	8000	M20x2.50	3/4	3/4	1 7/8	2-3/4	2	3/16
IL64-M24G	IL64-M24S	10000	M24x3.00	1	1	1 7/8	3	2	1/2
IL66-M6Gx1	IL66-M6Sx1	100	M6x1	1/2	3/4	2 1/2	1-3/4	1	3/16
IL66-M8Gx1	IL66-M8Sx1	500	M8x1.25	1/2	3/4	2 1/2	1-3/4	1	3/16
IL66-M6G	IL66-M6S	100	M6x1	1/2	3/4	2 1/2	2-3/4	2	3/16
IL66-M8G	IL66-M8S	500	M8x1.25	1/2	3/4	2 1/2	2-3/4	2	3/16
IL66-M10G	IL66-M10S	3000	M10x1.50	1/2	3/4	2 1/2	2-3/4	2	3/16
IL66-M12G	IL66-M12S	5000	M12x1.75	1/2	3/4	2 1/2	2-3/4	2	3/16
IL66-M16G	IL66-M16S	6000	M16x2.00	5/8	3/4	2 1/2	2-3/4	2	3/16
IL66-M20G	IL66-M20S	8000	M20x2.50	3/4	3/4	2 1/2	2-3/4	2	3/16
IL66-M24G	IL66-M24S	10000	M24x3.00	1	1	2 1/2	3	2	1/2
IL68-M6Gx1	IL68-M6Sx1	100	M6x1	1/2	3/4	3	1-3/4	1	3/16
IL68-M8Gx1	IL68-M8Sx1	500	M8x1.25	1/2	3/4	3	1-3/4	1	3/16
IL68-M6G	IL68-M6S	100	M6x1	1/2	3/4	3	2-3/4	2	3/16
IL68-M8G	IL68-M8S	500	M8x1.25	1/2	3/4	3	2-3/4	2	3/16
IL68-M10G	IL68-M10S	3000	M10x1.50	1/2	3/4	3	2-3/4	2	3/16
IL68-M12G	IL68-M12S	5000	M12x1.75	1/2	3/4	3	2-3/4	2	3/16
IL68-M16G	IL68-M16S	6000	M16x2.00	5/8	3/4	3	2-3/4	2	3/16
IL68-M20G	IL68-M20S	8000	M20x2.50	3/4	3/4	3	2-3/4	2	3/16
IL68-M24G	IL68-M24S	10000	M24x3.00	1	1	3	3	2	1/2
IL70-M6Gx1	IL70-M6Sx1	100	M6x1	1/2	3/4	4	1-3/4	1	3/16
IL70-M8Gx1	IL70-M8Sx1	500	M8x1.25	1/2	3/4	4	1-3/4	1	3/16
IL70-M6G	IL70-M6S	100	M6x1	1/2	3/4	4	2-3/4	2	3/16
IL70-M8G	IL70-M8S	500	M8x1.25	1/2	3/4	4	2-3/4	2	3/16
IL70-M10G	IL70-M10S	3000	M10x1.50	1/2	3/4	4	2-3/4	2	3/16
IL70-M12G	IL70-M12S	5000	M12x1.75	1/2	3/4	4	2-3/4	2	3/16
IL70-M16G	IL70-M16S	6000	M16x2.00	5/8	3/4	4	2-3/4	2	3/16
IL70-M20G	IL70-M20S	8000	M20x2.50	3/4	3/4	4	2-3/4	2	3/16
IL70-M24G	IL70-24S	10000	M24x3.00	1	1	4	3	2	1/2



LOW-PROFILE METRIC STUD LEVELERS

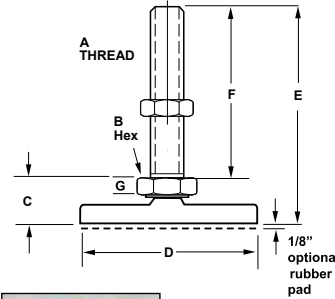
The IEC Metric Low-Profile Stud Leveler features an exclusive ball design that minimizes base separation. Ideal for heavy-duty load requirements. Integrated ball and swivel socket provide a low-friction support interface. Perfect for cabinets, instruments, machinery and equipment.

Features

- Steel/stainless steel options
- Integrated ball and stud
- Adjustable height
- Base adjusts 15° off centerline
- Standard gold irridite zinc finish
- Black oxide or clear chromate options
- Optional rubber pad (add -P)
- Non-tilt and extended stud length designs (2" - 8")
- Optional Top-A-Just™ shown at right. (add "-BR" to P/N)

Applications

- Electronic equipment
- Enclosures
- Conveyors
- Machinery
- Work tables
- Display racks



LOW PROFILE - METRIC STEEL & STAINLESS STEEL (3" STUD)

Steel	Stainless	Load	A	B	C	D	E	F	G
IL60-M8Gx3	IL60-M8Sx3	500	M8x1.25	1/2	3/4	3/4	3-3/4	3	3/16
IL60-M10Gx3	IL60-M10Sx3	1000	M10x1.50	1/2	3/4	3/4	3-3/4	3	3/16
IL60-M12Gx3	IL60-M12Sx3	2000	M12x1.75	1/2	3/4	3/4	3-3/4	3	3/16
IL60-M16Gx3	IL60-M16Sx3	3000	M16x2.00	5/8	3/4	3/4	3-3/4	3	3/16
IL60-M20Gx3	IL60-M20Sx3	4000	M20x2.50	3/4	3/4	3/4	3-3/4	3	3/16
IL60-M24Gx3	IL60-M24Sx3	5000	M24x3.00	1	1	3/4	4	3	1/2
IL62-M8Gx3	IL62-M8Sx3	500	M8x1.25	1/2	3/4	1 1/4	3-3/4	3	3/16
IL62-M10Gx3	IL62-M10Sx3	1000	M10x1.50	1/2	3/4	1 1/4	3-3/4	3	3/16
IL62-M12Gx3	IL62-M12Sx3	2000	M12x1.75	1/2	3/4	1 1/4	3-3/4	3	3/16
IL62-M16Gx3	IL62-M16Sx3	3000	M16x2.00	5/8	3/4	1 1/4	3-3/4	3	3/16
IL62-M20Gx3	IL62-M20Sx3	4000	M20x2.50	3/4	3/4	1 1/4	3-3/4	3	3/16
IL62-M24Gx3	IL62-M24Sx3	5000	M24x3.00	1	1	1 1/4	4	3	1/2
IL64-M8Gx3	IL64-M8Sx3	500	M8x1.25	1/2	3/4	1 7/8	3-3/4	3	3/16
IL64-M10Gx3	IL64-M10Sx3	3000	M10x1.50	1/2	3/4	1 7/8	3-3/4	3	3/16
IL64-M12Gx3	IL64-M12Sx3	5000	M12x1.75	1/2	3/4	1 7/8	3-3/4	3	3/16
IL64-M16Gx3	IL64-M16Sx3	6000	M16x2.00	5/8	3/4	1 7/8	3-3/4	3	3/16
IL64-M20Gx3	IL64-M20Sx3	8000	M20x2.50	3/4	3/4	1 7/8	3-3/4	3	3/16
IL64-M24Gx3	IL64-M24Sx3	10000	M24x3.00	1	1	1 7/8	4	3	1/2
IL66-M8Gx3	IL66-M8Sx3	500	M8x1.25	1/2	3/4	2 1/2	3-3/4	3	3/16
IL66-M10Gx3	IL66-M10Sx3	3000	M10x1.50	1/2	3/4	2 1/2	3-3/4	3	3/16
IL66-M12Gx3	IL66-M12Sx3	5000	M12x1.75	1/2	3/4	2 1/2	3-3/4	3	3/16
IL66-M16Gx3	IL66-M16Sx3	6000	M16x2.00	5/8	3/4	2 1/2	3-3/4	3	3/16
IL66-M20Gx3	IL66-M20Sx3	8000	M20x2.50	3/4	3/4	2 1/2	3-3/4	3	3/16
IL66-M24Gx3	IL66-M24Sx3	10000	M24x3.00	1	1	2 1/2	4	3	1/2
IL68-M8Gx3	IL68-M8Sx3	500	M8x1.25	1/2	3/4	3	3-3/4	3	3/16
IL68-M10Gx3	IL68-M10Sx3	3000	M10x1.50	1/2	3/4	3	3-3/4	3	3/16
IL68-M12Gx3	IL68-M12Sx3	5000	M12x1.75	1/2	3/4	3	3-3/4	3	3/16
IL68-M16Gx3	IL68-M16Sx3	6000	M16x2.00	5/8	3/4	3	3-3/4	3	3/16
IL68-M20Gx3	IL68-M20Sx3	8000	M20x2.50	3/4	3/4	3	3-3/4	3	3/16
IL68-M24Gx3	IL68-M24Sx3	10000	M24x3.00	1	1	3	4	3	1/2
IL70-M8Gx3	IL70-M8Sx3	500	M8x1.25	1/2	3/4	4	3-3/4	3	3/16
IL70-M10Gx3	IL70-M10Sx3	3000	M10x1.50	1/2	3/4	4	3-3/4	3	3/16
IL70-M12Gx3	IL70-M12Sx3	5000	M12x1.75	1/2	3/4	4	3-3/4	3	3/16
IL70-M16Gx3	IL70-M16Sx3	6000	M16x2.00	5/8	3/4	4	3-3/4	3	3/16
IL70-M20Gx3	IL70-M20Sx3	8000	M20x2.50	3/4	3/4	4	3-3/4	3	3/16
IL70-M24Gx3	IL70-M24Sx3	10000	M24x3.00	1	1	4	4	3	1/2

To order with 1/8" black rubber pad, (add "-P"). To order optional top broached hex, "allen drive," add "-BR". To order with two (2) 5/8" dia. lag holes centered at 2-3/4", (add "-H"). Only available on 4" base.

Top Hex (Allen-drive) Thread & Hex Size							
Thread	M6x1	M8x1.25	M10x1.50	M12x1.75	M16x2.00	M20x2.50	M24x3.00
Hex Size	3mm	4mm	5mm	6mm	8mm	10mm	12mm



LOW-PROFILE METRIC STUD LEVELERS

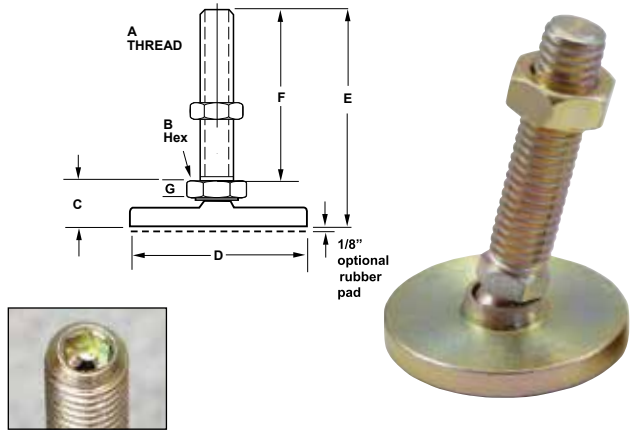
The IEC Metric Low-Profile Stud Leveler features an exclusive ball design that minimizes base separation. Ideal for heavy-duty load requirements. Integrated ball and swivel socket provide a low-friction support interface. Perfect for cabinets, instruments, machinery and equipment.

Features

- Steel/stainless steel options
- Integrated ball and stud
- Adjustable height
- Base adjusts 15° off centerline
- Standard gold irridite zinc finish
- Black oxide or clear chromate options
- Optional rubber pad (add -P)
- Non-tilt and extended stud length designs (2" - 8")
- Optional Top-A-Just™ shown at right. (add "-BR" to P/N)

Applications

- Electronic equipment
- Enclosures
- Conveyors
- Machinery
- Work tables
- Display racks



LOW PROFILE - METRIC STEEL & STAINLESS STEEL (4" STUD)

Steel	Stainless	Load	A	B	C	D	E	F	G
IL60-M8Gx4	IL60-M8Sx4	500	M8x1.25	1/2	3/4	3/4	4-3/4	4	3/16
IL60-M10Gx4	IL60-M10Sx4	1000	M10x1.50	1/2	3/4	3/4	4-3/4	4	3/16
IL60-M12Gx4	IL60-M12Sx4	2000	M12x1.75	1/2	3/4	3/4	4-3/4	4	3/16
IL60-M16Gx4	IL60-M16Sx4	3000	M16x2.00	5/8	3/4	3/4	4-3/4	4	3/16
IL60-M20Gx4	IL60-M20Sx4	4000	M20x2.50	3/4	3/4	3/4	4-3/4	4	3/16
IL60-M24Gx4	IL60-M24Sx4	5000	M24x3.00	1	1	3/4	5	4	1/2
IL62-M8Gx4	IL62-M8Sx4	500	M8x1.25	1/2	3/4	1 1/4	4-3/4	4	3/16
IL62-M10Gx4	IL62-M10Sx4	1000	M10x1.50	1/2	3/4	1 1/4	4-3/4	4	3/16
IL62-M12Gx4	IL62-M12Sx4	2000	M12x1.75	1/2	3/4	1 1/4	4-3/4	4	3/16
IL62-M16Gx4	IL62-M16Sx4	3000	M16x2.00	5/8	3/4	1 1/4	4-3/4	4	3/16
IL62-M20Gx4	IL62-M20Sx4	4000	M20x2.50	3/4	3/4	1 1/4	4-3/4	4	3/16
IL62-M24Gx4	IL62-M24Sx4	5000	M24x3.00	1	1	1 1/4	5	4	1/2
IL64-M8Gx4	IL64-M8Sx4	500	M8x1.25	1/2	3/4	1 7/8	4-3/4	4	3/16
IL64-M10Gx4	IL64-M10Sx4	3000	M10x1.50	1/2	3/4	1 7/8	4-3/4	4	3/16
IL64-M12Gx4	IL64-M12Sx4	5000	M12x1.75	1/2	3/4	1 7/8	4-3/4	4	3/16
IL64-M16Gx4	IL64-M16Sx4	6000	M16x2.00	5/8	3/4	1 7/8	4-3/4	4	3/16
IL64-M20Gx4	IL64-M20Sx4	8000	M20x2.50	3/4	3/4	1 7/8	4-3/4	4	3/16
IL64-M24Gx4	IL64-M24Sx4	10000	M24x3.00	1	1	1 7/8	5	4	1/2
IL66-M8Gx4	IL66-M8Sx4	500	M8x1.25	1/2	3/4	2 1/2	4-3/4	4	3/16
IL66-M10Gx4	IL66-M10Sx4	3000	M10x1.50	1/2	3/4	2 1/2	4-3/4	4	3/16
IL66-M12Gx4	IL66-M12Sx4	5000	M12x1.75	1/2	3/4	2 1/2	4-3/4	4	3/16
IL66-M16Gx4	IL66-M16Sx4	6000	M16x2.00	5/8	3/4	2 1/2	4-3/4	4	3/16
IL66-M20Gx4	IL66-M20Sx4	8000	M20x2.50	3/4	3/4	2 1/2	4-3/4	4	3/16
IL66-M24Gx4	IL66-M24Sx4	10000	M24x3.00	1	1	2 1/2	5	4	1/2
IL68-M8Gx4	IL68-M8Sx4	500	M8x1.25	1/2	3/4	3	4-3/4	4	3/16
IL68-M10Gx4	IL68-M10Sx4	3000	M10x1.50	1/2	3/4	3	4-3/4	4	3/16
IL68-M12Gx4	IL68-M12Sx4	5000	M12x1.75	1/2	3/4	3	4-3/4	4	3/16
IL68-M16Gx4	IL68-M16Sx4	6000	M16x2.00	5/8	3/4	3	4-3/4	4	3/16
IL68-M20Gx4	IL68-M20Sx4	8000	M20x2.50	3/4	3/4	3	4-3/4	4	3/16
IL68-M24Gx4	IL68-M24Sx4	10000	M24x3.00	1	1	3	5	4	1/2
IL70-M8Gx4	IL70-M8Sx4	500	M8x1.25	1/2	3/4	4	4-3/4	4	3/16
IL70-M10Gx4	IL70-M10Sx4	3000	M10x1.50	1/2	3/4	4	4-3/4	4	3/16
IL70-M12Gx4	IL70-M12Sx4	5000	M12x1.75	1/2	3/4	4	4-3/4	4	3/16
IL70-M16Gx4	IL70-M16Sx4	6000	M16x2.00	5/8	3/4	4	4-3/4	4	3/16
IL70-M20Gx4	IL70-M20Sx4	8000	M20x2.50	3/4	3/4	4	4-3/4	4	3/16
IL70-M24Gx4	IL70-M24Sx4	10000	M24x3.00	1	1	4	5	4	1/2

To order with 1/8" black rubber pad, (add "-P"). To order optional top broached hex, "allen drive," add "-BR". To order with two (2) 5/8" dia. lag holes centered at 2-3/4", (add "-H"). Only available on 4" base.

Top Hex (Allen-drive) Thread & Hex Size							
Thread	M6x1	M8x1.25	M10x1.50	M12x1.75	M16x2.00	M20x2.50	M24x3.00
Hex Size	3mm	4mm	5mm	6mm	8mm	10mm	12mm



LOW-PROFILE METRIC STUD LEVELERS

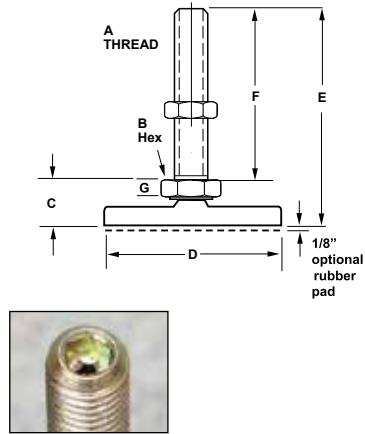
The IEC Metric Low-Profile Stud Leveler features an exclusive ball design that minimizes base separation. Ideal for heavy-duty load requirements. Integrated ball and swivel socket provide a low-friction support interface. Perfect for cabinets, instruments, machinery and equipment.

Features

- Steel/stainless steel options
- Integrated ball and stud
- Adjustable height
- Base adjusts 15° off centerline
- Standard gold irridite zinc finish
- Black oxide or clear chromate options
- Optional rubber pad (add -P)
- Non-tilt and extended stud length designs (2" - 8")
- Optional Top-A-Just™ shown at right. (add "-BR" to P/N)

Applications

- Electronic equipment
- Enclosures
- Conveyors
- Machinery
- Work tables
- Display racks



LOW PROFILE - METRIC STEEL & STAINLESS STEEL (5" STUD)

Steel	Stainless	Load	A	B	C	D	E	F	G
IL60-M10Gx5	IL60-M10Sx5	1000	M10x1.50	1/2	3/4	3/4	5-3/4	5	3/16
IL60-M12Gx5	IL60-M12Sx5	2000	M12x1.75	1/2	3/4	3/4	5-3/4	5	3/16
IL60-M16Gx5	IL60-M16Sx5	3000	M16x2.00	5/8	3/4	3/4	5-3/4	5	3/16
IL60-M20Gx5	IL60-M20Sx5	4000	M20x2.50	3/4	3/4	3/4	5-3/4	5	3/16
IL60-M24Gx5	IL60-M24Sx5	5000	M24x3.00	1	1	3/4	6	5	1/2
IL62-M10Gx5	IL62-M10Sx5	1000	M10x1.50	1/2	3/4	1 1/4	5-3/4	5	3/16
IL62-M12Gx5	IL62-M12Sx5	2000	M12x1.75	1/2	3/4	1 1/4	5-3/4	5	3/16
IL62-M16Gx5	IL62-M16Sx5	3000	M16x2.00	5/8	3/4	1 1/4	5-3/4	5	3/16
IL62-M20Gx5	IL62-M20Sx5	4000	M20x2.50	3/4	3/4	1 1/4	5-3/4	5	3/16
IL62-M24Gx5	IL62-M24Sx5	5000	M24x3.00	1	1	1 1/4	6	5	1/2
IL64-M10Gx5	IL64-M10Sx5	3000	M10x1.50	1/2	3/4	1 7/8	5-3/4	5	3/16
IL64-M12Gx5	IL64-M12Sx5	5000	M12x1.75	1/2	3/4	1 7/8	5-3/4	5	3/16
IL64-M16Gx5	IL64-M16Sx5	6000	M16x2.00	5/8	3/4	1 7/8	5-3/4	5	3/16
IL64-M20Gx5	IL64-M20Sx5	8000	M20x2.50	3/4	3/4	1 7/8	5-3/4	5	3/16
IL64-M24Gx5	IL64-M24Sx5	10000	M24x3.00	1	1	1 7/8	6	5	1/2
IL66-M10Gx5	IL66-M10Sx5	3000	M10x1.50	1/2	3/4	2 1/2	5-3/4	5	3/16
IL66-M12Gx5	IL66-M12Sx5	5000	M12x1.75	1/2	3/4	2 1/2	5-3/4	5	3/16
IL66-M16Gx5	IL66-M16Sx5	6000	M16x2.00	5/8	3/4	2 1/2	5-3/4	5	3/16
IL66-M20Gx5	IL66-M20Sx5	8000	M20x2.50	3/4	3/4	2 1/2	5-3/4	5	3/16
IL66-M24Gx5	IL66-M24Sx5	10000	M24x3.00	1	1	2 1/2	6	5	1/2
IL68-M10Gx5	IL68-M10Sx5	3000	M10x1.50	1/2	3/4	3	5-3/4	5	3/16
IL68-M12Gx5	IL68-M12Sx5	5000	M12x1.75	1/2	3/4	3	5-3/4	5	3/16
IL68-M16Gx5	IL68-M16Sx5	6000	M16x2.00	5/8	3/4	3	5-3/4	5	3/16
IL68-M20Gx5	IL68-M20Sx5	8000	M20x2.50	3/4	3/4	3	5-3/4	5	3/16
IL68-M24Gx5	IL68-M24Sx5	10000	M24x3.00	1	1	3	6	5	1/2
IL70-M10Gx5	IL70-M10Sx5	3000	M10x1.50	1/2	3/4	4	5-3/4	5	3/16
IL70-M12Gx5	IL70-M12Sx5	5000	M12x1.75	1/2	3/4	4	5-3/4	5	3/16
IL70-M16Gx5	IL70-M16Sx5	6000	M16x2.00	5/8	3/4	4	5-3/4	5	3/16
IL70-M20Gx5	IL70-M20Sx5	8000	M20x2.50	3/4	3/4	4	5-3/4	5	3/16
IL70-M24Gx5	IL70-M24Sx5	10000	M24x3.00	1	1	4	6	5	1/2

To order with 1/8" black rubber pad, (add "-P"). To order optional top broached hex, "allen drive," add "-BR". To order with two (2) 5/8" dia. lag holes centered at 2-3/4", (add "-H"). Only available on 4" base.

Top Hex (Allen-drive) Thread & Hex Size							
Thread	M6x1	M8x1.25	M10x1.50	M12x1.75	M16x2.00	M20x2.50	M24x3.00
Hex Size	3mm	4mm	5mm	6mm	8mm	10mm	12mm



LOW-PROFILE METRIC STUD LEVELERS

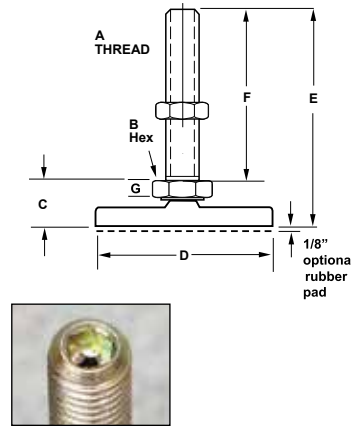
The IEC Metric Low-Profile Stud Leveler features an exclusive ball design that minimizes base separation. Ideal for heavy-duty load requirements. Integrated ball and swivel socket provide a low-friction support interface. Perfect for cabinets, instruments, machinery and equipment.

Features

- Steel/stainless steel options
- Integrated ball and stud
- Adjustable height
- Base adjusts 15° off centerline
- Standard gold irridite zinc finish
- Black oxide or clear chromate options
- Optional rubber pad (add -P)
- Non-tilt and extended stud length designs (2" - 8")
- Optional Top-A-Just™ shown at right. (add "-BR" to P/N)

Applications

- Electronic equipment
- Enclosures
- Conveyor
- Machinery
- Work tables
- Display racks



LOW PROFILE - METRIC STEEL & STAINLESS STEEL (6" STUD)

Steel	Stainless	Load	A	B	C	D	E	F	G
IL60-M10Gx6	IL60-M10Sx6	1000	M10x1.50	1/2	3/4	3/4	6-3/4	6	3/16
IL60-M12Gx6	IL60-M12Sx6	2000	M12x1.75	1/2	3/4	3/4	6-3/4	6	3/16
IL60-M16Gx6	IL60-M16Sx6	3000	M16x2.00	5/8	3/4	3/4	6-3/4	6	3/16
IL60-M20Gx6	IL60-M20Sx6	4000	M20x2.50	3/4	3/4	3/4	6-3/4	6	3/16
IL60-M24Gx6	IL60-M24Sx6	5000	M24x3.00	1	1	3/4	7	6	1/2
IL62-M10Gx6	IL62-M10Sx6	1000	M10x1.50	1/2	3/4	1 1/4	6-3/4	6	3/16
IL62-M12Gx6	IL62-M12Sx6	2000	M12x1.75	1/2	3/4	1 1/4	6-3/4	6	3/16
IL62-M16Gx6	IL62-M16Sx6	3000	M16x2.00	5/8	3/4	1 1/4	6-3/4	6	3/16
IL62-M20Gx6	IL62-M20Sx6	4000	M20x2.50	3/4	3/4	1 1/4	6-3/4	6	3/16
IL62-M24Gx6	IL62-M24Sx6	5000	M24x3.00	1	1	1 1/4	7	6	1/2
IL64-M10Gx6	IL64-M10Sx6	3000	M10x1.50	1/2	3/4	1 7/8	6-3/4	6	3/16
IL64-M12Gx6	IL64-M12Sx6	5000	M12x1.75	1/2	3/4	1 7/8	6-3/4	6	3/16
IL64-M16Gx6	IL64-M16Sx6	6000	M16x2.00	5/8	3/4	1 7/8	6-3/4	6	3/16
IL64-M20Gx6	IL64-M20Sx6	8000	M20x2.50	3/4	3/4	1 7/8	6-3/4	6	3/16
IL64-M24Gx6	IL64-M24Sx6	10000	M24x3.00	1	1	1 7/8	7	6	1/2
IL66-M10Gx6	IL66-M10Sx6	3000	M10x1.50	1/2	3/4	2 1/2	6-3/4	6	3/16
IL66-M12Gx6	IL66-M12Sx6	5000	M12x1.75	1/2	3/4	2 1/2	6-3/4	6	3/16
IL66-M16Gx6	IL66-M16Sx6	6000	M16x2.00	5/8	3/4	2 1/2	6-3/4	6	3/16
IL66-M20Gx6	IL66-M20Sx6	8000	M20x2.50	3/4	3/4	2 1/2	6-3/4	6	3/16
IL66-M24Gx6	IL66-M24Sx6	10000	M24x3.00	1	1	2 1/2	7	6	1/2
IL68-M10Gx6	IL68-M10Sx6	3000	M10x1.50	1/2	3/4	3	6-3/4	6	3/16
IL68-M12Gx6	IL68-M12Sx6	5000	M12x1.75	1/2	3/4	3	6-3/4	6	3/16
IL68-M16Gx6	IL68-M16Sx6	6000	M16x2.00	5/8	3/4	3	6-3/4	6	3/16
IL68-M20Gx6	IL68-M20Sx6	8000	M20x2.50	3/4	3/4	3	6-3/4	6	3/16
IL68-M24Gx6	IL68-M24Sx6	1000	M24x3.00	1	1	3	7	6	1/2
IL70-M10Gx6	IL70-M10Sx6	3000	M10x1.50	1/2	3/4	4	6-3/4	6	3/16
IL70-M12Gx6	IL70-M12Sx6	5000	M12x1.75	1/2	3/4	4	6-3/4	6	3/16
IL70-M16Gx6	IL70-M16Sx6	6000	M16x2.00	5/8	3/4	4	6-3/4	6	3/16
IL70-M20Gx6	IL70-M20Sx6	8000	M20x2.50	3/4	3/4	4	6-3/4	6	3/16
IL70-M24Gx6	IL70-M24Sx6	10000	M24x3.00	1	1	4	7	6	1/2

To order with 1/8" black rubber pad, (add "-P"). To order optional top broached hex, "allen drive," add "-BR". To order with two (2) 5/8" dia. lag holes centered at 2-3/4", (add "-H"). Only available on 4" base.

Top Hex (Allen-drive) Thread & Hex Size							
Thread	M6x1	M8x1.25	M10x1.50	M12x1.75	M16x2.00	M20x2.50	M24x3.00
Hex Size	3mm	4mm	5mm	6mm	8mm	10mm	12mm



LOW-PROFILE METRIC STUD LEVELERS

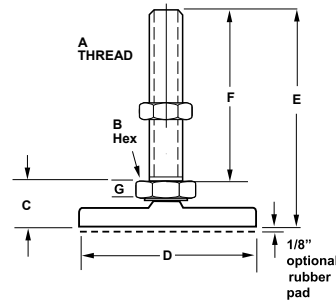
The IEC Metric Low-Profile Stud Leveler features an exclusive ball design that minimizes base separation. Ideal for heavy-duty load requirements. Integrated ball and swivel socket provide a low-friction support interface. Perfect for cabinets, instruments, machinery and equipment.

Features

- Steel/stainless steel options
- Integrated ball and stud
- Adjustable height
- Base adjusts 15° off centerline
- Standard gold irridite zinc finish
- Black oxide or clear chromate options
- Optional rubber pad (add -P)
- Non-tilt and extended stud length designs (2" - 8")
- Optional Top-A-Just™ shown at right. (add "-BR" to P/N)

Applications

- Electronic equipment
- Enclosures
- Conveyors
- Machinery
- Work tables
- Display racks



LOW PROFILE - METRIC STEEL & STAINLESS STEEL (8" STUD)

Steel	Stainless	Load	A	B	C	D	E	F	G
IL60-M12Gx8	IL60-M12Sx8	2000	M12x1.75	1/2	3/4	3/4	8-3/4	8	3/16
IL60-M16Gx8	IL60-M16Sx8	3000	M16x2.00	5/8	3/4	3/4	8-3/4	8	3/16
IL60-M20Gx8	IL60-M20Sx8	4000	M20x2.50	3/4	3/4	3/4	8-3/4	8	3/16
IL60-M24Gx8	IL60-M24Sx8	5000	M24x3.00	1	1	3/4	9	8	1/2
IL62-M12Gx8	IL62-M12Sx8	2000	M12x1.75	1/2	3/4	1 1/4	8-3/4	8	3/16
IL62-M16Gx8	IL62-M16Sx8	3000	M16x2.00	5/8	3/4	1 1/4	8-3/4	8	3/16
IL62-M20Gx8	IL62-M20Sx8	4000	M20x2.50	3/4	3/4	1 1/4	8-3/4	8	3/16
IL62-M24Gx8	IL62-M24Sx8	5000	M24x3.00	1	1	1 1/4	9	8	1/2
IL64-M12Gx8	IL64-M12Sx8	5000	M12x1.75	1/2	3/4	1 7/8	8-3/4	8	3/16
IL64-M16Gx8	IL64-M16Sx8	6000	M16x2.00	5/8	3/4	1 7/8	8-3/4	8	3/16
IL64-M20Gx8	IL64-M20Sx8	8000	M20x2.50	3/4	3/4	1 7/8	8-3/4	8	3/16
IL64-M24Gx8	IL64-M24Sx8	10000	M24x3.00	1	1	1 7/8	9	8	1/2
IL66-M12Gx8	IL66-M12Sx8	5000	M12x1.75	1/2	3/4	2 1/2	8-3/4	8	3/16
IL66-M16Gx8	IL66-M16Sx8	6000	M16x2.00	5/8	3/4	2 1/2	8-3/4	8	3/16
IL66-M20Gx8	IL66-M20Sx8	8000	M20x2.50	3/4	3/4	2 1/2	8-3/4	8	3/16
IL66-M24Gx8	IL66-M24Sx8	10000	M24x3.00	1	1	2 1/2	9	8	1/2
IL68-M12Gx8	IL68-M12Sx8	5000	M12x1.75	1/2	3/4	3	8-3/4	8	3/16
IL68-M16Gx8	IL68-M16Sx8	6000	M16x2.00	5/8	3/4	3	8-3/4	8	3/16
IL68-M20Gx8	IL68-M20Sx8	8000	M20x2.50	3/4	3/4	3	8-3/4	8	3/16
IL68-M24Gx8	IL68-M24Sx8	10000	M24x3.00	1	1	3	9	8	1/2
IL70-M12Gx8	IL70-M12Sx8	5000	M12x1.75	1/2	3/4	4	8-3/4	8	3/16
IL70-M16Gx8	IL70-M16Sx8	6000	M16x2.00	5/8	3/4	4	8-3/4	8	3/16
IL70-M20Gx8	IL70-M20Sx8	8000	M20x2.50	3/4	3/4	4	8-3/4	8	3/16
IL70-M24Gx8	IL70-M24Sx8	10000	M24x3.00	1	1	4	9	8	1/2

To order with 1/8" black rubber pad, (add "-P"). To order optional top broached hex, "allen drive," add "-BR". To order with two (2) 5/8" dia. lag holes centered at 2-3/4", (add "-H"). Only available on 4" base.

Top Hex (Allen-drive) Thread & Hex Size							
Thread	M6x1	M8x1.25	M10x1.50	M12x1.75	M16x2.00	M20x2.50	M24x3.00
Hex Size	3mm	4mm	5mm	6mm	8mm	10mm	12mm