



MEDIUM-DUTY LEVELERS
POLY FIXED - METRIC
KNOB STYLE GLIDES

METRIC POLY BASE FIXED STUD LEVELING GLIDES

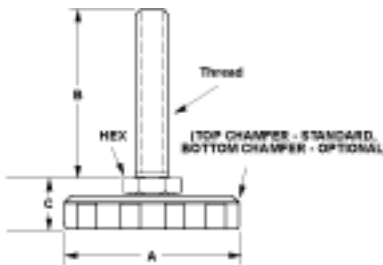
The IEC Metric Poly Base Steel and Stainless Steel Fixed Stud Glide offers metric threads and is ideal for medium-duty load requirements. The stud will tilt several degrees under load to adjust for unlevel surfaces. This glide is cost-effective for applications not requiring a swivel base. Zinc plated steel stud and black polypropylene base. Some sizes available with Top-A-Just™ top broached hex, allen drive, (-BR) and top-end external hex (-HX).



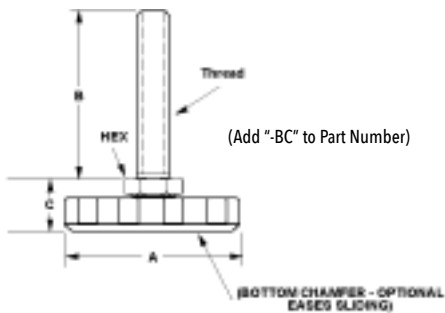
Top-A-Just™(-BR)



Top-A-Just™(-HX)



Optional bottom chamfer (reverse assembly) – with 90° top edge



| Steel | SS | Load | Thread | Hex | A | B(mm) | C |
|---|-------------------|------|--------|-----|-------|-------|-------|
| Metric Poly Base Steel and Stainless Steel Fixed Stud Glides | | | | | | | |
| IL7M-M6Bx25 | IL7M-M6BSx25 | 100 | M6 | 1/2 | 2-1/2 | 25 | 11/16 |
| IL7M-M6Bx38 | IL7M-M6BSx38 | 100 | M6 | 1/2 | 2-1/2 | 38 | 11/16 |
| IL7M-M6Bx51 | IL7M-M6BSx51 | 100 | M6 | 1/2 | 2-1/2 | 51 | 11/16 |
| IL7M-M8Bx38 | IL7M-M8BSx38 | 500 | M8 | 1/2 | 2-1/2 | 38 | 11/16 |
| IL7M-M8Bx51 | IL7M-M8BSx51 | 500 | M8 | 1/2 | 2-1/2 | 51 | 11/16 |
| IL7M-M8Bx62 | IL7M-M8BSx62 | 500 | M8 | 1/2 | 2-1/2 | 62 | 11/16 |
| IL7M-M10Bx38 | IL7M-M10BSx38 | 1000 | M10 | 1/2 | 2-1/2 | 38 | 11/16 |
| IL7M-M10Bx51 | IL7M-M10BSx51 | 1000 | M10 | 1/2 | 2-1/2 | 51 | 11/16 |
| IL7M-M10Bx62 | IL7M-M10BSx62 | 1000 | M10 | 1/2 | 2-1/2 | 62 | 11/16 |
| IL7M-M12Bx38 | IL7M-M12BSx38 | 2000 | M12 | 1/2 | 2-1/2 | 38 | 11/16 |
| IL7M-M12Bx51 | IL7M-M12BSx51 | 2000 | M12 | 1/2 | 2-1/2 | 51 | 11/16 |
| IL7M-M12Bx75 | IL7M-M12BSx75 | 2000 | M12 | 1/2 | 2-1/2 | 75 | 11/16 |
| IL7M-M12Bx102 | IL7M-M12BSx102 | 2000 | M12 | 1/2 | 2-1/2 | 102 | 11/16 |
| IL7M-M16Bx51 | IL7M-M16BSx51 | 2500 | M16 | 5/8 | 2-1/2 | 51 | 11/16 |
| IL7M-M16Bx90-BR | IL7M-M16BSx90-BR | 2500 | M16 | 5/8 | 2-1/2 | 90 | 11/16 |
| IL7M-M16Bx102 | IL7M-M16BSx102 | 2500 | M16 | 5/8 | 2-1/2 | 102 | 11/16 |
| IL7M-M16Bx115-BR | IL7M-M16BSx115-BR | 2500 | M16 | 5/8 | 2-1/2 | 115 | 11/16 |
| IL8A-M6Bx25 | IL8A-M6BSx25 | 100 | M6 | 1/2 | 3 | 25 | 11/16 |
| IL8A-M6Bx38 | IL8A-M6BSx38 | 100 | M6 | 1/2 | 3 | 38 | 11/16 |
| IL8A-M6Bx51 | IL8A-M6BSx51 | 100 | M6 | 1/2 | 3 | 51 | 11/16 |
| IL8A-M8Bx38 | IL8A-M8BSx38 | 500 | M8 | 1/2 | 3 | 38 | 11/16 |
| IL8A-M8Bx51 | IL8A-M8BSx51 | 500 | M8 | 1/2 | 3 | 51 | 11/16 |
| IL8A-M8Bx62 | IL8A-M8BSx62 | 500 | M8 | 1/2 | 3 | 62 | 11/16 |
| IL8A-M10Bx38 | IL8A-M10BSx38 | 1000 | M10 | 1/2 | 3 | 38 | 11/16 |
| IL8A-M10Bx51 | IL8A-M10BSx51 | 1000 | M10 | 1/2 | 3 | 51 | 11/16 |
| IL8A-M10Bx62 | IL8A-M10BSx62 | 1000 | M10 | 1/2 | 3 | 62 | 11/16 |
| IL8A-M12Bx38 | IL8A-M12BSx38 | 2000 | M12 | 1/2 | 3 | 38 | 11/16 |
| IL8A-M12Bx51 | IL8A-M12BSx51 | 2000 | M12 | 1/2 | 3 | 51 | 11/16 |
| IL8A-M12Bx75 | IL8A-M12BSx75 | 2000 | M12 | 1/2 | 3 | 75 | 11/16 |
| IL8A-M12Bx102 | IL8A-M12BSx102 | 2000 | M12 | 1/2 | 3 | 102 | 11/16 |
| IL8A-M16Bx51 | IL8A-M16BSx51 | 2500 | M16 | 5/8 | 3 | 51 | 11/16 |
| IL8A-M16Bx90-BR | IL8A-M16BSx90-BR | 2500 | M16 | 5/8 | 3 | 90 | 11/16 |
| IL8A-M16Bx102 | IL8A-M16BSx102 | 2500 | M16 | 5/8 | 3 | 102 | 11/16 |
| IL8A-M16Bx115-BR | IL8A-M16BSx115-BR | 2500 | M16 | 5/8 | 3 | 115 | 11/16 |

KNOB STYLE SOCKET TYPE GLIDES (LEVELERS/KNOB)

These low-profile polypropylene levelers/knobs are designed for use with socket head allen bolts or threaded rod of various lengths. They are available with three different female thread types: brass insert (-BI), steel hex nut (-HN), or threads molded directly into the polypropylene (-MT). The height of all base sizes is 3/8" thick. The PVC base is a flexible, non-skid and non-marring, rubber-like material.



| PN (brass) | PN (hex nut) | PN(molded) | Thread | Base Dia. | Load (lbs.) |
|----------------|--------------|------------|-------------|-----------|-------------|
| IL83-4B-BI | IL83-4B-HN | IL83-4B-MT | 1/4-20 | 1-1/2 | 100 |
| IL83-5B-BI | IL83-5B-HN | IL83-5B-MT | 5/16-18 | 1-1/2 | 250 |
| IL83-6B-BI | IL83-6B-HN | IL83-6B-MT | 3/8-16 | 1-1/2 | 250 |
| IL85-4B-BI | IL85-4B-HN | IL85-4B-MT | 1/4-20 | 2 | 100 |
| IL85-5B-BI | IL85-5B-HN | IL85-5B-MT | 5/16-18 | 2 | 250 |
| IL85-6B-BI | IL85-6B-HN | IL85-6B-MT | 3/8-16 | 2 | 250 |
| IL87-4B-BI | IL87-4B-HN | IL87-4B-MT | 1/4-20 | 2-1/2 | 100 |
| IL87-5B-BI | IL87-5B-HN | IL87-5B-MT | 5/16-18 | 2-1/2 | 250 |
| IL87-6B-BI | IL87-6B-HN | IL87-6B-MT | 3/8-16 | 2-1/2 | 250 |
| IL89-4B-BI | IL89-4B-HN | IL89-4B-MT | 1/4-20 | 3 | 100 |
| IL89-5B-BI | IL89-5B-HN | IL89-5B-MT | 5/16-18 | 3 | 250 |
| IL89-6B-BI | IL89-6B-HN | IL89-6B-MT | 3/8-16 | 3 | 250 |
| PN (PVC) | Thread | Base Dia. | Load (lbs.) | | |
| IL83-4B-HN-PVC | 1/4-20 | 1-1/2 | 75 | | |
| IL83-5B-HN-PVC | 5/16-18 | 1-1/2 | 75 | | |
| IL83-6B-HN-PVC | 3/8-16 | 1-1/2 | 75 | | |