

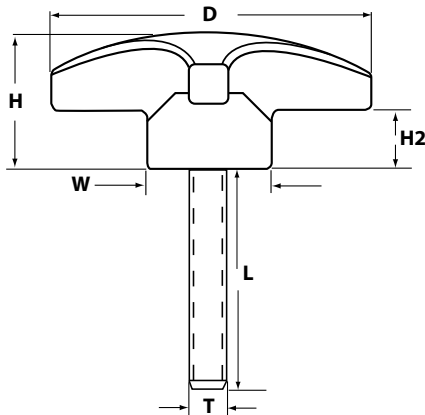


6 & 7 Lobe Knobs

Phenolic 6-lobe knobs are offered with a brass threaded insert, a zinc-plated steel stud or a stainless steel stud.



PHENOLIC 6 LOBE KNOB WITH ZINC PLATED STEEL STUD

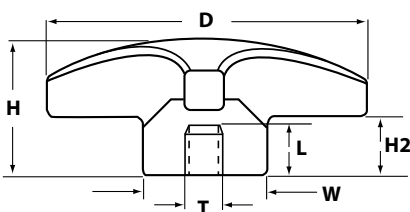


P/N	DIA.	Height	Width	H2	Thread	Length
IL464-4X75	7/8	3/4	1/2	3/8	1/4-20	3/4
IL465-4X50	1-1/4	7/8	3/4	3/8	1/4-20	1/2
IL465-4X75	1-1/4	7/8	3/4	3/8	1/4-20	3/4
IL465-4X1	1-1/4	7/8	3/4	3/8	1/4-20	1
IL465-5X75	1-1/4	7/8	3/4	3/8	5/16-18	3/4
IL465-5X1	1-1/4	7/8	3/4	3/8	5/16-18	1
IL465-5X150	1-1/4	7/8	3/4	3/8	5/16-18	1-1/2
IL466-5X125	1-3/4	1	7/8	3/8	5/16-18	1-1/4
IL466-6X1	1-3/4	1	7/8	3/8	3/8-16	1
IL466-6X125	1-3/4	1	7/8	3/8	3/8-16	1-1/4
IL466-6X175	1-3/4	1	7/8	3/8	3/8-16	1-3/4
IL467-6X150	2-1/4	1-1/4	1	7/16	3/8-16	1-1/2
IL467-7X150	2-1/4	1-1/4	1	7/16	1/2-13	1-1/2
IL467-7X2	2-1/4	1-1/4	1	7/16	1/2-13	2
IL468-7X150	2-5/8	1-5/8	1-1/8	5/8	1/2-13	1-1/2
IL468-7X2	2-5/8	1-5/8	1-1/8	5/8	1/2-13	2



Phenolic 7-lobe knobs are offered with a brass threaded insert, a zinc-plated steel stud or a stainless steel stud.

THERMOPLASTIC 7 LOBE KNOB WITH BRASS THREADED INSERT

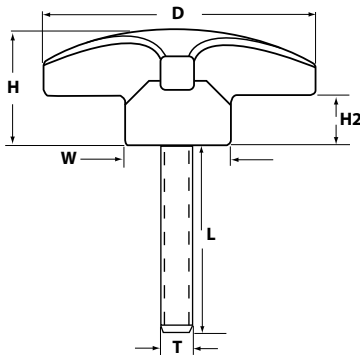


P/N	DIA.	Height	Width	H2	Thread	Length
IL470-2X38	1	5/8	1/2	5/16	8-32	3/8
IL470-3FX38	1	5/8	1/2	5/16	10-32	3/8
IL470-4X38	1	5/8	1/2	5/16	1/4-20	3/8
IL471-3FX38	1-1/4	3/4	9/16	3/8	10-32	3/8
IL471-4X38	1-1/4	3/4	9/16	3/8	1/4-20	3/8
IL472-5X56	1-9/16	1	11/16	1/2	5/16-18	9/16
IL472-6X56	1-9/16	1	11/16	1/2	3/8-16	9/16
IL473-5X56	2	1-1/4	7/8	11/16	5/16-18	9/16
IL473-6X56	2	1-1/4	7/8	11/16	3/8-16	9/16
IL473-7X69	2	1-1/4	7/8	11/16	5/16-18	11/16
IL474-6X56	2-1/2	1-1/2	1	13/16	3/8-16	9/16
IL474-7X69	2-1/2	1-1/2	1	13/16	1/2-13	11/16
IL474-8X69	2-1/2	1-1/2	1	13/16	5/8-11	11/16



7 & 8 Lobe Knobs

Phenolic 7-lobe knobs with a brass threaded insert, a zinc-plated steel stud or a stainless steel stud

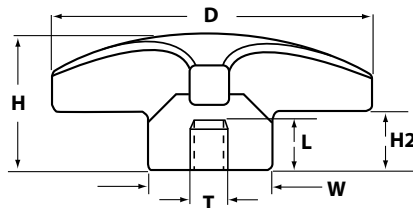


Phenolic 7-lobe knobs with a brass threaded insert, a zinc-plated steel stud or a stainless steel stud



PHENOLIC 7 LOBE KNOB WITH ZINC PLATED STEEL STUD

P/N	DIA.	Height	Width	H2	Thread	Length
IL475-3FX38	1	5/8	1/2	5/16	10-32	3/8
IL475-3FX75	1	5/8	1/2	5/16	10-32	3/4
IL475-4X75	1	5/8	1/2	5/16	1/4-20	3/4
IL475-4X112	1	5/8	1/2	5/16	1/4-20	1-1/8
IL476-4X75	1-1/4	7/8	9/16	3/8	5/16-18	3/4
IL476-4X112	1-1/4	7/8	9/16	3/8	5/16-18	1-1/8
IL476-5X75	1-1/4	7/8	9/16	3/8	5/16-18	3/4
IL476-5X156	1-1/4	7/8	9/16	3/8	5/16-18	1-9/16
IL477-5X75	1-9/16	1	11/16	1/2	5/16-18	3/4
IL477-5X156	1-9/16	1	11/16	1/2	5/16-18	1-9/16
IL477-6X75	1-9/16	1	11/16	1/2	3/8-16	3/4
IL477-6X156	1-9/16	1	11/16	1/2	3/8-16	1-9/16
IL478-6X75	2	1-1/4	7/8	11/16	3/8-16	3/4
IL478-6X156	2	1-1/4	7/8	11/16	3/8-16	1-9/16
IL478-7X112	2	1-1/4	7/8	11/16	1/2-13	1-1/8
IL478-7X238	2	1-1/4	7/8	11/16	1/2-13	2-3/8
IL479-6X75	2-1/2	1-9/16	1	13/16	3/8-16	3/4
IL479-6X156	2-1/2	1-9/16	1	13/16	3/8-16	1-9/16
IL479-7X112	2-1/2	1-9/16	1	13/16	1/2-13	1-1/8
IL479-7X238	2-1/2	1-9/16	1	13/16	1/2-13	2-3/8



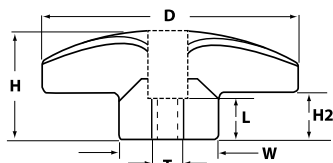
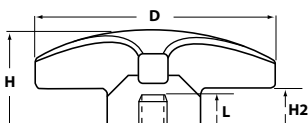
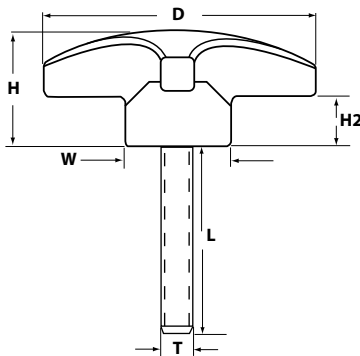
PHENOLIC 8 LOBE KNOB WITH BRASS THREADED INSERT

P/N	DIA.	Height	Width	H2	Thread	Length
IL480-3FX31	1-3/8	7/8	7/8	3/8	10-32	5/16
IL480-4X43	1-3/8	7/8	7/8	3/8	1/4-20	7/16
IL480-5X43	1-3/8	7/8	7/8	3/8	5/16-18	7/16
IL481-4X43	1-3/4	1-1/16	1-1/16	1/2	1/4-20	7/16
IL481-5X43	1-3/4	1-1/16	1-1/16	1/2	5/16-18	7/16
IL481-6X43	1-3/4	1-1/16	1-1/16	1/2	3/8-16	7/16
IL482-6X50	2-3/8	1-5/16	1-1/4	5/8	3/8-16	1/2
IL482-7X62	2-3/8	1-5/16	1-1/4	5/8	1/2-13	5/8
IL483-6X50	3-1/4	1-7/8	2	7/8	3/8-16	1/2
IL483-7X62	3-1/4	1-7/8	2	7/8	1/2-13	5/8
IL483-8X75	3-1/4	1-7/8	2	7/8	5/8-11	3/4
IL483-8FX75	3-1/4	1-7/8	2	7/8	5/8-18	3/4



8 Lobe Knobs

Phenolic 8-lobe knobs are offered with a brass threaded insert, a zinc-plated steel stud or a stainless steel stud.



PHENOLIC 8 LOBE KNOB WITH ZINC PLATED STEEL STUD

P/N	DIA.	Height	Width	H2	Thread	Length
IL484-4x50	1-3/8	27/32	27/32	25/64	1/4-20	1/2
IL484-4X1	1-3/8	27/32	27/32	25/64	1/4-20	1
IL484-5X50	1-3/8	27/32	27/32	25/64	5/16-18	1/2
IL484-5X1	1-3/8	27/32	27/32	25/64	5/16-18	1
IL485-5X75	1-3/4	1-1/16	1-1/16	1/2	5/16-18	3/4
IL485-5X150	1-3/4	1-1/16	1-1/16	1/2	5/16-18	1-1/2
IL485-6X75	1-3/4	1-1/16	1-1/16	1/2	3/8-16	3/4
IL485-6X150	1-3/4	1-1/16	1-1/16	1/2	3/8-16	1-1/2
IL486-6X1	2-3/8	1-5/16	1-1/4	5/8	3/8-16	1
IL486-6X2	2-3/8	1-5/16	1-1/4	5/8	3/8-16	2
IL486-7X1	2-3/8	1-5/16	1-1/4	5/8	1/2-13	1
IL486-7X2	2-3/8	1-5/16	1-1/4	5/8	1/2-13	2

PHENOLIC 8 LOBE KNOB WITH STAINLESS STEEL STUD

P/N	DIA.	Height	Width	H2	Thread	Length
IL484-4x50-SS	1-3/8	27/32	27/32	25/64	1/4-20	1/2
IL484-4X1-SS	1-3/8	27/32	27/32	25/64	1/4-20	1
IL484-5X50-SS	1-3/8	27/32	27/32	25/64	5/16-18	1/2
IL484-5X1-SS	1-3/8	27/32	27/32	25/64	5/16-18	1
IL485-5X75-SS	1-3/4	1-1/16	1-1/16	1/2	5/16-18	3/4
IL485-5X150-SS	1-3/4	1-1/16	1-1/16	1/2	5/16-18	1-1/2
IL485-6X75-SS	1-3/4	1-1/16	1-1/16	1/2	3/8-16	3/4
IL485-6X150-SS	1-3/4	1-1/16	1-1/16	1/2	3/8-16	1-1/2
IL486-6X1-SS	2-3/8	1-5/16	1-1/4	5/8	3/8-16	1
IL486-6X2-SS	2-3/8	1-5/16	1-1/4	5/8	3/8-16	2
IL486-7X1-SS	2-3/8	1-5/16	1-1/4	5/8	1/2-13	1
IL486-7X2-SS	2-3/8	1-5/16	1-1/4	5/8	1/2-13	2

THERMOPLASTIC 8 LOBE KNOB WITH STEEL THREADED INSERT

P/N	DIA.	Height	Width	H2	Thread	Length
IL487-5x75	3-1/4	1-5/8	2	3/4	5/16-18	3/4
IL487-5X1	3-1/4	1-5/8	2	3/4	5/16-18	1

PHENOLIC 8 LOBE THRU HOLE KNOB WITH BRASS INSERT

P/N	DIA.	Height	Width	H2	Thread	Length
IL487-4x62	1-3/4	61/64	1-1/16	1/2	1/4-20	5/8
IL487-5x62	1-3/4	61/64	1-1/16	1/2	5/16-18	5/8
IL487-6x62	1-3/4	61/64	1-1/16	1/2	3/8-16	5/8
IL487-7x62	1-3/4	61/64	1-1/16	1/2	1/2-13	5/8
IL488-4x62	2-3/8	1-9/32	1-1/4	5/8	1/4-20	5/8
IL488-5x62	2-3/8	1-9/32	1-1/4	5/8	5/16-18	5/8
IL488-6x62	2-3/8	1-9/32	1-1/4	5/8	3/8-16	5/8
IL488-7x62	2-3/8	1-9/32	1-1/4	5/8	1/2-13	5/8